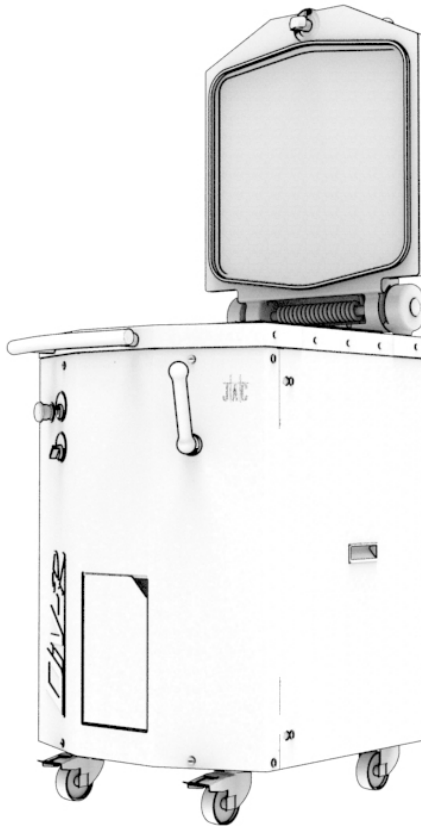




Traditionally Innovative

DIV DIV-R



EN – FR – DE – NL – RU – ES – IT – AR

V01-01-2017

DIV DIV-R

EN- Translation of original user instructions	
DIV – DIV-R Divider	5
FR- Notice d'utilisation originale	
Diviseuse DIV – DIV-R	15
DE- Übersetzung der Originalanleitung	
Teigteiler DIV – DIV-R	25
NL- Vertaling van de originele gebruikershandleiding	
Verdeler DIV – DIV-R	35
RU. Перевод оригинального руководства по эксплуатации	
Делитель DIV – DIV-R	45
ES- Traducción del manual de uso original	
Divisora DIV – DIV-R	55
IT- Traduzione delle informazioni sull'utilizzo originali	
Spezzatrice DIV – DIV-R	65
الأصلي الاستخدام دليل ترجمة - فرنسي	
DIV – DIV-R طاعة عجين	75

1	BEFORE COMMISSIONING	6
2	WARRANTY	6
3	WARNING	7
4	TECHNICAL SPECIFICATIONS	8
4.1	Technical specifications	8
4.2	Details of materials in direct contact with dough.....	8
5	INSTALLATION AND COMMISSIONING	8
5.1	Unpacking the machine:	8
5.2	Positioning:.....	9
5.3	Electrical connection:	9
5.4	Commissioning:.....	9
5.5	Danger:	10
6	CONTROLS AND SAFETY FEATURES	10
6.1	Controls:.....	10
6.2	Work area:	10
7	OPERATION	10
8	MAINTENANCE	11
8.1	Daily, by a trained operator.	11
8.2	Weekly, by a trained operator.....	11
8.3	Six-monthly, by an approved agent.	12
9	CONSUMABLES	12
9.1	List of CONSUMABLES	12
10	MALFUNCTIONS	13
11	LIST OF COMPONENTS IN ILLUSTRATIONS	14

1 BEFORE COMMISSIONING

Thank you for choosing a JAC system. It is essential that you read these instructions before installing and commissioning this machine. This will protect you and avoid damaging your machine.

These instructions refer to various illustrations in order to make them easier to understand. These illustrations are at the end of the instructions. Please refer to them whenever you see the following symbols: (fig.X, n°Y).

To ensure that your machine gives you full satisfaction over the coming years, we invite you to familiarise yourself with the following advice:

- Enlist the help of your approved agent for installation, commissioning and service support.
- In order to be covered by the 5-year warranty (see terms and conditions set out below), please have your dealer fill in the service booklet when your machine is installed. The service booklet is at the back of your machine.

2 WARRANTY



All JAC products are covered by a 5-year warranty.

This warranty is valid for all parts on your machine, including electronic components but excluding consumables. The warranty takes effect on the date the equipment is installed.

Subject to the following restrictive conditions:

- Equipment acquired from an approved dealer;
- Installation carried out by an approved agent;
- Equipment used in accordance with the instructions for use and for the intended purpose for which it was manufactured;
- Equipment serviced on a daily basis in compliance with the instructions for use;
- Regular servicing by the approved agent in compliance with service specifications, with at least one service per year (servicing chargeable to the user).
- Exclusive use of genuine JAC parts.



If there is no record of servicing by an approved agent and/or if the service booklet has not been filled in correctly, warranty cover will be limited to one year.

This warranty does not cover:

- Replacement of consumables (§9);
- Parts not accepted as defective by our company;
- Problems due to improper use of the equipment;
- Problems due to installation not carried out by an approved agent;
- Parts or problems due to transit damage or improper handling.

Repairing and/or replacing defective parts during the warranty period does not bring about an extension of said warranty.

3 WARNING

It is most important that these user instructions be kept with the machine for future reference. Should this machine be sold or transferred to another user, please ensure that the user instructions are handed over so that the new user can be familiarised with its operation and the associated warnings.



These warnings are given for your safety and that of others. We would therefore ask you to read them carefully before installing and using the machine.

This machine has been designed for use by authorised adults. Please therefore ensure that children do not touch it or use it as a toy.

This machine is intended exclusively for professional use.

It is dangerous to modify or attempt to modify the specifications of this machine.

After having installed this machine, please ensure that it is not standing on the power cable.

Follow the instructions given for its use.

This machine must be stored and used in an indoor room, protected from moisture and heat.

This machine must be adequately illuminated to operate it.

The noise level of this machine does not exceed 70 dB(A) in accordance with EN ISO 3744.

This machine must be used by one person at a time (unless otherwise specified).



Always disconnect the mains supply before cleaning the machine inside/outside and when carrying out maintenance.

This machine is heavy. Take all necessary safety precautions when handling it.

4 TECHNICAL SPECIFICATIONS

4.1 Technical specifications

	DIV	DIV-R
Height, lid open (mm)		1761
Width (mm)		600
Depth (mm)		810
Packaging (mm)		790x880x1310
Net weight (kg)	260	265
Net weight + packing (kg)	280	285
Motor power rating (kW)		1.5
Motor type		Three-phase
220 V - 50 Hz (A)		8
380 V - 50 Hz (A)		4.5
Production rate (pieces/h)		900

	D16 round	D20 round	D20 square
Dough piece min. / max. weights (g)	125/1125	100/900	150/950 300/1900 if 10/20 option
Tank capacity (kg)	18	18	19

The minimum hydration rate required for optimum operation is 55%

4.2 Details of materials in direct contact with dough.

Square tank: STAINLESS STEEL 304

Round tank: Cast iron FGL200

Square tank heads: GHA-coated aluminium

Round tank heads: Teflon-coated cast iron

Knives: Stainless steel 304

Cover: Aluminium AISi10Mg

5 INSTALLATION AND COMMISSIONING

5.1 Unpacking the machine:

Machines are delivered from our works on pallets, strapped and protected with cardboard. First of all, the packaging must be examined and any damage caused in transit must be declared directly to the carrier.

- A. Remove the cardboard.
- B. Remove the side casings from the machine in order to gain access to the screws securing the machine to the pallet.
- C. Detach the machine from its pallet by removing the 4 screws immobilising the machine (fig.12).
- D. Take the machine off the pallet. Do this with at least two people in order to lower it as gently as possible onto the floor.
- E. EASYFLOUR OPTION: Fill the Easyflour flour dispenser (fig. 7) with flour.

**After unpacking your machine, check that it has not been damaged in transit.
Notify us of any defects.**

5.2 Positioning:

In order to achieve excellent performance and long-term reliability, choose a location that is:

Well ventilated, shielded from direct sunlight and away from sources of heat, with a flat and sturdy surface free from vibration.

5.3 Electrical connection:

IMPORTANT: This machine must be earthed.

It is recommended that the system be protected with a fuse and an RCD.

Your mains electricity supply to the machine must be protected as indicated below:

- North America: 15 A protection;
- Rest of the world: 16 A protection.

For machines equipped with a variable speed drive, it is imperative that they be connected to a junction box on a circuit fitted with a 300 mA RCD.

Note: Any problem resulting from any other type of connection will not be covered under warranty.

Before connecting your machine to the mains supply and in order to prevent the motor from burning out when it is switched on, it is important to check that the mains supply matches the machine specification (see machine nameplate).

This machine complies with Machinery Directives 2006/42, 2014/35, 2014/30 and is CE-marked as proof of this compliance.

Please familiarise yourself with the safety pictograms displayed on the machine:



This pictogram indicates an electrocution hazard. Please isolate the machine before carrying out any work on it. You will find it inside the machine on the electrical enclosure (fig.11, n°20).

You will find the circuit diagram for the machine inside the left-hand door of the divider (fig.11, n°21).

5.4 Commissioning:

Before commissioning, ensure that there are no extraneous objects interfering with the machine's moving parts.

Ensure first of all (after verifying electrical compatibility) that the motor is rotating in the right direction, if so, the head will rise when you pull the control lever towards you. If this is not the case, disconnect the plug and switch 2 phases in it.

FULLMATIC OPTION: When the power is switched on, the green button flashes (fig.4, n°23); press to start initialisation. If the head does not rise during this stage and the indicator flashes quickly, disconnect the plug and switch 2 phases in it.

For machine operation, please refer to the "Operation" chapter.

5.5 **Danger:**

If the user or the machine is in danger, you must use the main isolator switch to cut the power supply to the machine.

Remove the plug from the power socket before any maintenance and/or servicing work.

Any maintenance work or replacement of parts must be carried out by an approved agent.

6 **CONTROLS AND SAFETY FEATURES**

6.1 **Controls:**

Your machine is equipped as standard with a mechanical control panel (fig.3).

FULLMATIC OPTION: Your machine is equipped with a mechanical control panel (fig.4).

6.2 **Work area:**

The pressure setting and flour recovery area is located at the front of the machine (DIV-R only) (fig.5, n°19).

FULLMATIC OPTION: the pressure time setting area and the half tank/full tank selector is located at the front of the machine (fig.4, n°22, 24).

The work area is at the front of the machine (fig.5, n°17).

7 **OPERATION**

For DIV 16r, DIV20r, DIV-R 16r or DIV-R 20r machines, oil the inside of the round tank at the start of the day using a soft cloth dipped in oil.

Operating procedure (fig.8, 9)

A. Twist the mushroom (emergency stop) button (fig.3, n°14) ¼ turn to the right if it has not been released.

B. Open the pressure plate (fig.1, n°1).

C. If necessary, lightly flour the tops of the heads (fig.1, n°4) in the tank (fig.1, n°3).

EASYFLOUR OPTION: Lightly flour the top of the head in the tank using Easyflour.

D. Empty the dough into the tank (fig.1, n°3) and spread it out roughly by hand.

EASYFLOUR OPTION: Lightly flour the top of the dough using Easyflour.

E. Close the cover (fig.1, n°1) using the handle (fig.1, n°8).

F. With the 10/20 option (square DIV 20, square DIV-R 20 options), you can choose between cutting into 10 or 20 divisions using the selector on the front (fig.3, n°15).

G. Set the tamping pressure (round DIV-R 16, round DIV-R 20, square DIV-R 20 options) using the pressure setting handle located on the front (fig.6, n°19).

H. Pull the control lever (fig.3, n°16) to raise the head and divide the dough.

I. Push the lever (fig.3, n°16) briefly in order to decompress so that you can open the lid.

J. Open the pressure plate (fig.1, n°1).

K. Pull the lever to raise the head and recover the dough pieces (fig.3, n°16).

The emergency stop button can be used to stop a cycle in progress (fig.3, n°14).

FULLMATIC OPTION: Operating procedure (fig.10)

- A. Twist the mushroom (emergency stop) button (fig.3, n°14) ¼ turn to the right if it has not been released.
 - B. Press the green button if it flashes to initialise the machine.
 - C. Open the pressure plate (fig.1, n°1).
 - D. Choose the position of the head (half tank or full tank) using the selector on the front.
 - E. If necessary, lightly flour the tops of the heads (fig.1, n°4) in the tank (fig.1, n°3).
- EASYFLOUR OPTION: Lightly flour the top of the head in the tank using Easyflour.
- F. Empty the dough into the tank and spread it around roughly by hand.
- EASYFLOUR OPTION: Lightly flour the top of the dough using Easyflour.
- G. You can adjust the tamping pressure using the pressure setting handle located on the front and the tamping time using the button on the front.
 - With the 10/20 option, you can choose between cutting into 10 or 20 divisions using the selector on the front.
 - H. Close the lid to raise the head and divide the dough.
 - I. When the indicator lights up again, open the lid and collect the dough pieces.

The emergency stop button can be used to stop a cycle in progress (fig.3, n°14).

EASYFLOUR OPTION: Easyflour flour dispenser filling procedure (fig.7)

- A. Open the flour dispenser lid.
- B. Empty the flour in the flour dispenser filling area (fig.7, n°25).
- C. Close the flour dispenser lid.
- D. Set the flour dispenser flow rate using a cursor (fig.7, n°26).

8 MAINTENANCE

8.1 Daily, by a trained operator.

Place the head and the knives in the lowered position and clean the tank.

Clean the lid.

Press the knife raise button while pulling the lever in order to raise the knives.

Clean the knives.

Pull the lever to raise the head and clean out dough and flour residues with a vacuum cleaner.

FULLMATIC OPTION:

Place the head and the knives in the lowered position and clean the tank.

Clean the lid.

Press the knife raise button to raise the knives.

Clean the knives.

Press the green button to raise the head and clean out dough and flour residues with a vacuum cleaner.

8.2 Weekly, by a trained operator.

Wash the entire body with a damp cloth.

Empty the flour recovery tray (DIV-R only) (fig.5, n°18).

With the head in the lowered position, press the knife raise button while pulling the lever in order to raise the knives.

Operate the emergency stop and remove the side doors using a screwdriver.

Using a vacuum cleaner, clean all over the inside of the machine as well as the mechanical components.

Refit the side doors.

FULLMATIC OPTION:

Wash the entire body with a damp cloth.

Empty the flour recovery tray (DIV-R only) (fig.6, n°18).

With the head in the lowered position, press the knife raise button in order to raise the knives.

Activate the emergency stop and remove the side doors using a screwdriver.

Using a vacuum cleaner, clean all over the inside of the machine as well as the mechanical components.

Refit the side doors.

8.3 Six-monthly, by an approved agent.

Place the head in the lowered position.

Operate the emergency stop and remove the right-hand side door using a screwdriver.

Check oil level. (The level must be between 4 and 5 cm from the top edge of the aluminium flange).

NOTE: Below you will find a non-exhaustive list of compatible hydraulic oils:

CONDAT	HYDROLUB S46
ELF	HYDRELF DS46
CASTROL	AYSPIN AWS46
TOTAL	AZOLLA ZS32

Check that your approved agent has recorded his work in your service booklet in order to maintain your 5-year warranty cover.

9 CONSUMABLES

When ordering spare parts, check with your approved agent which part is required based on the spare parts catalogue issued by the manufacturer.

Always quote the machine serial number shown on the nameplate.

Your agent will place the orders with JAC.

9.1 List of CONSUMABLES

ITEM CODE	NEW DESCRIPTION	MODEL
F1500009	LID SEAL	DIV-R
F1500004	LID SPRING	ALL
F1512014	GRID SPRING	ALL
10040012	WEAR PLATE	ALL
HUILEHYDROS46	HYDRAULIC OIL	ALL
F140000311	DOUBLE EXCENTRIC	ALL

10 MALFUNCTIONS

WARNING: The machine must be isolated from the power supply before attempting any work on it.

Problem	Check
The machine will not start	Check the main power supply and the power supply to the motor. Check whether the thermal cut-out has tripped.
The hydraulic power pack starts up but the head does not rise	Switch 2 phases on the machine plug.
Machine lacks power	Check the oil level; it must be between 4 and 5 cm from the top edge.
The head rises but the knives do not extend	Contact your technician.
Oil on the floor	Contact your technician.
FULLMATIC OPTION: The green light flashes quickly	Activate the emergency stop



Should the problem persist, please contact your technician.

11 LIST OF COMPONENTS IN ILLUSTRATIONS

Figure	Item	Description
1	1	Pressure plate
	2	Pressure plate seal (DIV-R 16r – DIV-R 20r – DIV-R 20c)
	3	Tank
	4	Heads
	5	Flour recovery (DIV-R 16r – DIV-R 20r – DIV-R 20c)
	6	Protection handle (DIV-R 16r – DIV-R 20r – DIV-R 20c)
	7	Braked castors
	8	Pressure plate closing handle
	9	Pressure plate lock
	10	Door handle
	11	Pressure setting flap (DIV-R 16r – DIV-R 20r – DIV-R 20c)
2	12	Knives
3	13	Knife raise
	14	Emergency stop
	15	10/20 selection (10/20 option)
	16	Head raise or lower
4	15	10/20 selection (10/20 option)
	22	Maximum pressure time setting
	23	Indicator and cycle start
	24	Half tank – full tank selector
5	17	Work area
6	18	Flour recovery tray (DIV-R 16r – DIV-R 20r – DIV-R 20c)
	19	Pressure setting (DIV-R 16r – DIV-R 20r – DIV-R 20c)
7	25	Easyflour filling area
	26	Flour flow setting cursor
11	20	Pictogram indicating an electrocution hazard
	21	Circuit diagram

1	AVANT LA MISE EN SERVICE.....	16
2	GARANTIE.....	16
3	AVERTISSEMENTS	17
4	CARACTERISTIQUES TECHNIQUES.....	18
4.1	Caractéristiques techniques.....	18
4.2	Détail des matériaux en contact direct avec la pâte.....	18
5	INSTALLATION ET MISE EN SERVICE.....	18
5.1	Déconditionnement de la machine	18
5.2	Emplacement	19
5.3	Raccordement électrique	19
5.4	Mise en service	19
5.5	Danger	20
6	ORGANE DE COMMANDE ET DE SECURITE	20
6.1	Organe de commande	20
6.2	Zone de travail	20
7	UTILISATION.....	20
8	ENTRETIEN.....	22
8.1	Journalier par un utilisateur formé	22
8.2	Hebdomadaire par un utilisateur formé.....	22
8.3	Semestriel par un agent agréé	22
9	CONSOMMABLES.....	23
9.1	Liste des CONSOMMABLES.....	23
10	INCIDENTS DE FONCTIONNEMENT	23
11	LISTE DES COMPOSANTS SUR LES FIGURES.....	24

1 AVANT LA MISE EN SERVICE

Merci d'avoir choisi une solution JAC. Veuillez impérativement lire ce mode d'emploi avant d'installer et de mettre en service cette machine. Vous pourrez ainsi vous protéger et éviter de détériorer votre machine.

Cette notice fait référence à différentes figures afin de faciliter la compréhension des instructions. Ces figures se trouvent en fin de notice. Veuillez vous y référer dès que vous rencontrez les symboles suivants (fig.x, n°y).

Pour que votre machine vous donne entière satisfaction au cours des prochaines années, nous vous invitons à prendre connaissance des conseils suivants :

- Faites-vous aider par votre agent agréé pour l'installation, la mise en service et le suivi.
- Afin de pouvoir bénéficier de la garantie de 5 ans (voir conditions reprises ci-après), faites compléter le carnet d'entretien par votre distributeur lors de l'installation de votre machine. Ce carnet d'entretien se trouve à l'arrière de votre machine.

2 GARANTIE



JAC offre une garantie de 5 ans sur tous ses produits.

Cette garantie est valable sur toutes les pièces de votre machine, pièces électroniques incluses, hors consommables. La garantie prend effet à la date d'installation du matériel.

Sous les conditions restrictives suivantes :

- matériel acquis auprès d'un revendeur agréé ;
- installation effectuée par un agent agréé ;
- utilisation du matériel conformément aux indications du mode d'emploi et dans le but pour lequel il a été fabriqué ;
- matériel quotidiennement entretenu conformément aux indications du mode d'emploi ;
- entretiens suivis par l'agent agréé conformément aux spécifications d'entretien avec, au minimum, un entretien par an (entretien à charge de l'utilisateur) ;
- utilisation exclusive des pièces d'origine JAC.



S'il n'y a pas de suivi d'entretien par un agent agréé et/ou que le carnet d'entretien n'est pas correctement complété, la garantie se limite à un an.

Cette garantie ne couvre pas :

- le remplacement des consommables (§9) ;
- les pièces non reconnues défectueuses par nos services ;
- les problèmes résultant d'une utilisation anormale du matériel ;
- les problèmes résultant d'une installation non effectuée par un agent agréé ;
- les pièces ou les problèmes résultant d'un dégât de transport ou d'une manutention inappropriée.

Une réparation et/ou un remplacement de pièces défectueuses effectué(es) durant la période de garantie n'a (n'ont) pas pour effet de prolonger ladite garantie.

3 AVERTISSEMENTS

Il est très important que cette notice d'utilisation soit conservée avec l'appareil pour toute future consultation. Si cet appareil devait être vendu ou transféré à une autre personne, assurez-vous que la notice d'utilisation soit remise de façon à ce que l'utilisateur puisse être informé de son fonctionnement et des avertissements s'y rapportant.



Ces avertissements sont donnés pour votre sécurité et pour celle d'autrui. Nous vous prions donc de bien vouloir les lire attentivement avant d'installer et d'utiliser l'appareil.

Cette machine a été conçue pour être utilisée par des adultes autorisés. Veillez donc à ce que les enfants n'y touchent pas ou qu'ils ne l'utilisent pas comme un jouet.

Cette machine est exclusivement réservée à un usage professionnel.

Il est dangereux de modifier ou d'essayer de modifier les caractéristiques de cette machine.

Après l'installation de cette machine, assurez-vous qu'elle ne repose pas sur le câble d'alimentation.

Suivez les instructions données pour l'utilisation.

Cette machine doit être stockée et utilisée à l'intérieur, dans un local à l'abri de l'humidité et de la chaleur.

Cette machine doit être suffisamment éclairée pour effectuer le travail.

Cette machine a un niveau sonore inférieur à 70 dB(A), suivant la norme EN ISO 3744.

Cette machine doit être utilisée par une seule personne à la fois (sauf prescription contraire).



Toujours débrancher la prise de courant avant de procéder au nettoyage intérieur/extérieur de l'appareil et aux opérations de maintenance.

Cet appareil est lourd. Prenez toutes les précautions de sécurité lors de sa manutention.

4 CARACTERISTIQUES TECHNIQUES

4.1 Caractéristiques techniques

	DIV	DIV-R
Hauteur couvercle ouvert (mm)		1761
Largeur (mm)		600
Profondeur (mm)		810
Colisage (mm)	790 x 880 x 1310	
Poids net (kg)	260	265
Poids NET + emballage (kg)	280	285
Puissance moteur (kW)	1,5	
Type moteur	Triphasé	
220v - 50Hz (A)	8	
380v - 50Hz (A)	4,5	
Cadence (pièces/h)	900	

	D16 ronde	D20 ronde	D20 carrée
Poids des pâtons mini/maxi (g)	125/1125	100/900	150/950 300/1900 si option 10/20
Capacité de la cuve (kg)	18	18	19

Pour un fonctionnement parfait, le taux d'hydratation doit être de 55 % minimum.

4.2 Détail des matériaux en contact direct avec la pâte

Cuve carrée : INOX 304

Cuve ronde : Fonte FGL200

Taloches cuve carrée : Aluminium revêtu GHA

Taloches cuve ronde : Fonte revêtue téflon

Couteaux : INOX 304

Couvercle : Aluminium AISi10Mg

5 INSTALLATION ET MISE EN SERVICE

5.1 Déconditionnement de la machine

Les machines sont livrées, sorties de nos ateliers, sur palettes, sanglées et protégées par du carton. Avant toute chose, l'emballage doit être observé et tout dommage dû au transport doit être déclaré directement au livreur.

- A. Retirer le carton.
- B. Retirer les carters latéraux de la machine afin d'avoir accès aux vis qui maintiennent la machine sur la palette.
- C. Désolidariser la machine de sa palette en dévissant les 4 vis qui bloquent la machine (fig.12).
- D. Descendre la machine de la palette. Faire cette manipulation à au moins deux personnes afin d'amortir au mieux le contact avec le sol.
- E. OPTION EASYFLOUR : Remplir le farineur Easyflour (fig.7) de farine



Après déballage de la machine, vérifier qu'elle n'a pas subi de dommages pendant le transport. Nous signaler toute anomalie.

5.2 Emplacement

Pour obtenir d'excellentes performances et une fiabilité à long terme, choisir un emplacement :

Bien ventilé, à l'abri du rayonnement solaire direct et éloigné des sources de chaleur, avec une surface plane et robuste exempte de vibrations.

5.3 Raccordement électrique

IMPORTANT : Mise à la terre obligatoire.

Il est conseillé de protéger l'installation avec un fusible et un disjoncteur différentiel.

Votre installation électrique alimentant la machine doit être protégée comme indiqué ci-dessous :

- Amérique du Nord : Protection 15A ;

- Reste du monde : Protection 16A.

Pour les machines équipées d'un variateur, celles-ci doivent être impérativement raccordées à une boîte de dérivation sur une ligne équipée d'un différentiel de 300mA.

Note : Tout problème résultant d'un autre type de raccordement ne sera pas pris en compte par la garantie.

Avant de connecter la machine au réseau et afin d'éviter une mise hors service du moteur à la mise sous tension, il est important de vérifier la concordance du réseau d'alimentation avec les caractéristiques de la machine (voir plaque signalétique de celle-ci).

Cet appareil est conforme aux Directives Machines 2006/42, 2014/35, 2014/30 et porte le marquage CE attestant cette conformité.

Veillez prendre connaissance des pictogrammes de sécurité figurant sur la machine :



Pictogramme signalant un risque d'électrocution. Veuillez débrancher la machine avant toute intervention sur celle-ci. Vous retrouverez ce pictogramme à l'intérieur de la machine sur le coffret électrique (fig.11, n°20).

Vous trouverez le schéma électrique de la machine à l'intérieur de la porte gauche de la diviseuse (fig.11, n°21).

5.4 Mise en service

Avant la mise en service, s'assurer de l'absence de tout objet parasite sur les parties en mouvement de la machine.

S'assurer tout d'abord (après vérification des concordances électriques) que le moteur tourne dans le bon sens ; il faut pour cela que la tête monte lorsqu'on tire le levier de commande vers soi. Si ce n'est pas le cas, débrancher la prise et inverser 2 phases dans celle-ci.

OPTION FULLMATIC : A la mise sous tension, le bouton vert clignote (fig.4, n°23), appuyer dessus pour lancer l'initialisation. Si la tête ne monte pas durant cette étape et que le voyant clignote rapidement alors débrancher la prise et inverser 2 phases dans celle-ci.

Pour l'utilisation de la machine, se reporter au chapitre « Utilisation ».

5.5 **Danger**

En cas de danger pour l'utilisateur ou pour la machine, utiliser l'interrupteur général pour couper l'alimentation de la machine.

Retirer la fiche de la prise électrique avant toute opération de maintenance et d'entretien.

Toute opération de maintenance ou de remplacement de pièce doit être effectuée par un agent agréé.

6 **ORGANE DE COMMANDE ET DE SECURITE**

6.1 **Organe de commande**

Votre machine est équipée de série d'un pupitre de commande mécanique (fig.3).

OPTION FULLMATIC : Votre machine est équipée d'un pupitre de commande mécanique (fig.4)

6.2 **Zone de travail**

La zone de réglage de la pression et de récupération de farine se situe à l'avant de la machine (DIV-R seulement) (fig.6).

OPTION FULLMATIC : la zone de réglage du temps de pression et le sélecteur mi cuve/pleine cuve se situe à l'avant de la machine (fig.4, n°22, 24)

La zone de travail se situe à l'avant de la machine (fig.5, n°17).

7 **UTILISATION**

En début de journée, pour une DIV 16r, DIV20r, DIV-R 16r ou une DIV-R 20r, huiler l'intérieur de la cuve ronde à l'aide d'un chiffon doux imbibé d'huile.

Procédure d'utilisation (fig.8, 9)

A. Tourner d'1/4 de tour vers la droite le bouton coup de poing (arrêt d'urgence) (fig.3, n°14), s'il n'est pas actionné.

B. Ouvrir le capot (fig.1, n°1).

C. Si besoin, fariner légèrement le dessus des taloches (fig.1, n°4) dans la cuve (fig.1, n°3).

OPTION EASYFLOUR : Fariner légèrement le dessus de la tête dans la cuve à l'aide de l'Easyflour.

D. Verser la pâte dans la cuve (fig.1, n°3) et la répartir grossièrement à la main.

OPTION EASYFLOUR : Fariner légèrement le dessus de la pâte à l'aide de l'Easyflour.

E. Fermer le capot (fig.1, n°1) à l'aide de la poignée (fig.1, n°8).

F. Avec l'option 10/20 (option DIV 20 carrée, DIV-R 20 carrée), vous pouvez choisir de couper en 10 ou 20 divisions grâce au sélecteur en façade (fig.3, n°15).

G. Régler la pression de tassage (option DIV-R 16 ronde, DIV-R 20 ronde, DIV-R 20 carrée) grâce à la poignée de réglage pression située en façade (fig.6, n°19).

H. Tirer le levier (fig.3, n°16) de commande pour faire monter la tête et diviser la pâte.

I. Pousser brièvement le levier (fig.3, n°16) afin de décompresser pour pouvoir ouvrir le couvercle.



J. Ouvrir le capot (fig.1, n°1).

K. Tirer le levier pour faire monter la tête et récupérer les pâtons (fig.3, n°16).

Le bouton d'arrêt d'urgence permet d'arrêter un cycle en cours (fig.3, n°14).

OPTION FULLMATIC : Procédure d'utilisation (fig.10)

A. Tourner d'1/4 de tour vers la droite le bouton coup de poing (arrêt d'urgence) (fig.3, n°14), s'il n'est pas actionné.

B. Appuyer sur le bouton vert s'il clignote pour initialiser la machine.

C. Ouvrir le capot (fig.1, n°1).

D. Choisir la position de la tête (mi cuve ou pleine cuve) grâce au sélecteur en façade.

E. Si besoin, fariner légèrement le dessus des taloches (fig.1, n°4) dans la cuve (fig.1, n°3).

OPTION EASYFLOUR : Fariner légèrement le dessus de la tête dans la cuve à l'aide de l'Easyflour.

F. Verser la pâte dans la cuve et la répartir grossièrement à la main.

OPTION EASYFLOUR : Fariner légèrement le dessus de la pâte à l'aide de l'Easyflour.

G. Vous pouvez régler la pression de tassage grâce à la poignée de réglage pression située en façade ainsi que le temps de tassage grâce au bouton en façade.

Avec l'option 10/20, vous pouvez choisir de couper en 10 ou 20 divisions grâce au sélecteur en façade.

H. Fermer le couvercle pour faire monter la tête et diviser la pâte.

I. Lorsque le voyant se rallume, ouvrir le couvercle et récupérer les pâtons.

Le bouton d'arrêt d'urgence permet d'arrêter un cycle en cours (fig.3, n°14).

OPTION EASYFLOUR : Procédure de remplissage du farineur Easyflour (fig.7)

A. Ouvrir le couvercle du farineur.

B. Verser la farine dans la zone de remplissage du farineur (fig.7, n°25).

C. Fermer le couvercle du farineur.

D. Régler le débit du farineur à l'aide du curseur (fig.7, n°26).

8 ENTRETIEN

8.1 Journalier par un utilisateur formé

Placer la tête et les couteaux en position basse et nettoyer la cuve.

Nettoyer le couvercle.

Appuyer sur le bouton de remontée des couteaux tout en tirant le levier afin de faire monter les couteaux.

Nettoyer les couteaux.

Tirer le levier pour faire monter la tête et aspirer les résidus de pâte et de farine.

OPTION FULLMATIC :

Placer la tête et les couteaux en position basse et nettoyer la cuve.

Nettoyer le couvercle.

Appuyer sur le bouton de remontée des couteaux afin de faire monter les couteaux.

Nettoyer les couteaux.

Appuyer sur le bouton vert pour faire monter la tête et aspirer les résidus de pâte et de farine.

8.2 Hebdomadaire par un utilisateur formé

Laver l'ensemble de la carrosserie à l'aide d'un chiffon humide.

Vider le bac de récupération de farine (DIV-R seulement) (fig.6, n°18).

Tête en position basse, appuyer sur le bouton de remontée des couteaux tout en tirant le levier afin de faire monter les couteaux.

Actionner l'arrêt d'urgence et retirer les portes latérales à l'aide d'un tournevis.

Aspirer toutes les parties intérieures de la machine ainsi que les parties mécaniques.

Replacer les portes latérales.

OPTION FULLMATIC :

Laver l'ensemble de la carrosserie à l'aide d'un chiffon humide.

Vider le bac de récupération de farine (DIV-R seulement) (fig.6, n°18).

Tête en position basse, appuyer sur le bouton de remontée des couteaux afin de faire monter les couteaux.

Actionner l'arrêt d'urgence et retirer les portes latérales à l'aide d'un tournevis.

Aspirer toutes les parties intérieures de la machine ainsi que les parties mécaniques.

Replacer les portes latérales.

8.3 Semestriel par un agent agréé

Placer la tête en position basse.

Actionner l'arrêt d'urgence et retirer la porte latérale droite à l'aide d'un tournevis.

Contrôler le niveau d'huile (le niveau doit se situer entre 4 et 5 cm du bord supérieur de la bride en alu).

NOTE : Vous trouverez ci-dessous une liste non exhaustive des huiles hydrauliques compatibles :

CONDAT	HYDROLUB S46
ELF	HYDRELF DS46
CASTROL	AYSPIN AWS46
TOTAL	AZOLLA ZS32

Bien vérifier que votre agent agréé enregistre son intervention dans votre carnet d'entretien afin de conserver votre garantie de 5 ans.



9 CONSOMMABLES

Lors d'une commande d'une pièce de rechange, vérifier avec votre agent agréé de quelle pièce il s'agit sur la base du catalogue de pièces de rechange émis par le fabricant.
Toujours préciser le numéro de machine comme indiqué sur la plaque signalétique.
Votre agent effectue les commandes auprès de JAC.

9.1 Liste des CONSOMMABLES

REFERENCE	NOUVEAU LIBELLE	MODELE
F1500009	JOINT DE COUVERCLE	DIV-R
F1500004	RESSORT DE COUVERCLE	TOUTES
F1512014	RESSORT DE GRILLE	TOUTES
10040012	PLAQUE D'USURE	TOUTES
HUILEHYDROS46	HUILE HYDRAULIQUE	TOUTES
F140000311	EXCENTRIQUE DOUBLE	TOUTES

10 INCIDENTS DE FONCTIONNEMENT

ATTENTION : La machine doit obligatoirement être mise hors tension pour toute intervention.

Problème	Vérification
La machine ne se met pas en route	Vérifier l'alimentation générale et celle du moteur Vérifier si le relais thermique s'est déclenché
La centrale hydraulique se met en route mais la tête ne monte pas	Inverser 2 phases sur la prise de la machine
La machine manque de puissance	Vérifier le niveau d'huile, le niveau doit se situer entre 4 et 5 cm du bord supérieur
La tête monte mais les couteaux ne sortent pas	Contactez votre technicien
Présence d'huile au sol	Contactez votre technicien
OPTION FULLMATIC : Le voyant vert clignote rapidement	Actionner l'arrêt d'urgence



Si le problème persiste, veuillez contacter votre technicien.

11 LISTE DES COMPOSANTS SUR LES FIGURES

Figure	Bulle	Nom
1	1	Capot de tassage
	2	Joint de capot (DIV-R 16r –DIV-R 20r – DIV-R 20c)
	3	Cuve
	4	Taloches
	5	Evacuation de farine (DIV-R 16r - DIV-R 20r - DIV-R 20c)
	6	Poignée de protection (DIV-R 16r DIV-R 20r DIV-R 20c)
	7	Roulettes freinées
	8	Poignée de fermeture du capot de tassage
	9	Verrou du capot de tassage
	10	Poignée de porte
	11	Trappe réglage pression (DIV-R 16r – DIV-R 20r – DIV-R 20c)
2	12	Couteaux
3	13	Remontée des couteaux
	14	Arrêt d'urgence
	15	Sélection 10/20 couteaux (option 10/20)
	16	Remontée ou descente des taloches
4	15	Sélection 10/20 couteaux (option 10/20)
	22	Réglage du temps de pression maximale
	23	Témoin et mise en route du cycle auto
	24	Sélecteur demi cuve – pleine cuve
5	17	Zone de travail
6	18	Bac de récupération de farine (DIV-R 16r –DIV-R 20r – DIV-R 20c)
	19	Réglage de la pression (DIV-R 16r – DIV-R 20r – DIV-R 20c)
7	25	Zone de remplissage du Easyflour
	26	Curseur de réglage du débit de farine
11	20	Pictogramme signalant un risque d'électrocution
	21	Schéma électrique

1	VOR DER INBETRIEBNAHME	26
2	GARANTIE.....	26
3	WARNHINWEISE	27
4	TECHNISCHE DATEN.....	28
4.1	Technische Daten	28
4.2	Materialien der Teile, die in Kontakt mit dem Schnittgut kommen	28
5	INSTALLATION UND INBETRIEBNAHME.....	28
5.1	Auspacken der Maschine:	28
5.2	Aufstellung:.....	29
5.3	Anschluss an die Stromversorgung:.....	29
5.4	Inbetriebnahme:.....	30
5.5	Gefahr:	30
6	BEDIENELEMENT UND SICHERHEITSVORRICHTUNG.....	30
6.1	Bedienelement:	30
6.2	Arbeitsbereich:	30
7	BEDIENUNG.....	30
8	INSTANDHALTUNG.....	31
8.1	Taglich durch einen eingewiesenen Bediener:.....	31
8.2	Wochentlich durch einen eingewiesenen Bediener:.....	32
8.3	Halbjahrlich durch einen zugelassenen Vertreter:.....	32
9	ERSATZTEILE.....	33
9.1	ERSATZTEILLISTE	33
10	STORUNGEN UND FEHLER.....	33
11	LISTE DER ABGEBILDETEN TEILE UND FUNKTIONEN	34

1 VOR DER INBETRIEBNAHME

Vielen Dank, dass Sie sich für ein Gerät von JAC entschieden haben. Bitte lesen Sie diese Bedienungsanleitung vor der Installation und Inbetriebnahme dieser Maschine aufmerksam durch. Dies dient zu Ihrer Sicherheit und zum Schutz der Maschine vor Schäden.

Diese Bedienungsanleitung enthält Verweise auf verschiedene Abbildungen, die das Verständnis der Anleitungen erleichtern. Die Abbildungen befinden sich am Schluss der Bedienungsanleitung. Bitte schlagen Sie die jeweilige Abbildung anhand des angegebenen Verweises (Fig. X, Nr. Y) nach.

Damit Sie sich viele Jahre an dieser Maschine erfreuen können, möchten wir Sie bitten, die folgenden Hinweise zu berücksichtigen:

- Lassen Sie sich bei der Installation, der Inbetriebnahme und der weiteren Nutzung von Ihrem zugelassenen Vertreter unterstützen.
- Um die Garantie von fünf Jahren (siehe nachfolgende Garantiebestimmungen) in Anspruch nehmen zu können, lassen Sie bitte von Ihrem Vertriebshändler bei der Installation Ihrer Maschine das Wartungsheft ausfüllen. Das Wartungsheft befindet sich an der Rückseite Ihrer Maschine.

2 GARANTIE



JAC bietet auf alle seine Produkte eine Garantie von fünf Jahren.

Diese Garantie erstreckt sich auf alle Teile Ihrer Maschine, auch auf die elektronischen Bauteile, außer Verschleißteile. Die Garantiefrist beginnt zum Zeitpunkt der Installation der Anlage.

Es gelten die folgenden Beschränkungen:

- Das Produkt wurde bei einem zugelassenen Vertragshändler erworben.
- Die Installation wurde von einem zugelassenen Vertreter vorgenommen.
- Das Produkt wurde im Rahmen seines bestimmungsgemäßen Gebrauchs und entsprechend der Bedienungsanleitung verwendet.
- Das Produkt wurde täglich entsprechend den Vorgaben der Bedienungsanleitung instandgehalten.
- Die Wartung wird durch einen zugelassenen Vertreter entsprechend den Wartungsvorgaben durchgeführt und findet mindestens einmal jährlich statt (auf Kosten des Anwenders).
- Es werden ausschließlich Originalersatzteile von JAC verwendet.



Sofern keine Wartung durch einen zugelassenen Vertreter erfolgt bzw. das Wartungsheft nicht ordnungsgemäß ausgefüllt ist, ist die Garantie auf ein Jahr begrenzt.

Diese Garantie deckt nicht:

- den Ersatz von Verschleißteilen (siehe Abschnitt 9);
- Teile, die unser Kundendienst nicht als defekt anerkennt;

- Probleme, die sich aus einer ungewöhnlichen Nutzung des Produktes ergeben;
- Probleme, die darauf zurückzuführen sind, dass die Installation nicht durch einen zugelassenen Vertreter durchgeführt wurde;
- Beschädigungen oder Probleme, die auf einen Transportschaden oder auf die unsachgemäße Handhabung des Produktes zurückzuführen sind.

Die Durchführung einer Reparatur und/oder der Ersatz defekter Teile während der Garantiefrist führen nicht zur Verlängerung der Garantiefrist.

3 WARNHINWEISE

Bitte bewahren Sie diese Bedienungsanleitung unbedingt mit Ihrem Gerät zum späteren Nachlesen auf. Bei Verkauf oder Weitergabe Ihres Gerätes übergeben Sie bitte diese Bedienungsanleitung an den neuen Besitzer bzw. Benutzer, damit dieser über die Funktionsweise des Gerätes und die Warnhinweise informiert ist und diese befolgen kann.



Diese Warnhinweise dienen zu Ihrer Sicherheit und der Sicherheit anderer. Bitte lesen Sie die Warnhinweise vor der Installation und Verwendung Ihres Gerätes aufmerksam durch.

Diese Maschine ist für die Verwendung durch befugte erwachsene Personen bestimmt. Stellen Sie sicher, dass die Maschine nicht von Kindern berührt oder als Spielzeug benutzt wird.

Diese Maschine ist ausschließlich für den professionellen Einsatz vorgesehen.

Eine Modifizierung bzw. versuchte Modifizierung der Eigenschaften und Merkmale dieser Maschine ist gefährlich.

Stellen Sie nach der Installation dieser Maschine sicher, dass diese nicht auf dem Netzkabel steht.

Befolgen Sie stets die Anleitungen zur Bedienung und Verwendung.

Die Maschine ist in einem Innenraum und gegen Feuchtigkeit und Hitze geschützt aufzustellen.

Die Maschine muss zur Durchführung der Arbeiten ausreichend ausgeleuchtet sein.

Der Geräuschpegel der Maschine liegt unter 70 dB(A) und entspricht damit der EN ISO 3744.

Die Maschine darf nicht von mehreren Personen gleichzeitig benutzt werden (es sei denn, die Anleitung gibt etwas Anderes vor).



Vor Reinigungsarbeiten innen und außen am Gerät und vor Wartungsarbeiten immer den Netzstecker ziehen.

Dieses Gerät ist sehr schwer. Beim Transport und Bewegen des Gerätes sind angemessene Vorsichtsmaßnahmen zu ergreifen.

4 TECHNISCHE DATEN

4.1 Technische Daten

	DIV	DIV-R
Höhe geöffneter Deckel (mm)		1761
Breite (mm)		600
Tiefe (mm)		810
Verpackungsmaße (mm)		790x880x1310
Nettogewicht (kg)	260	265
Nettogewicht + Verpackung (kg)	280	285
Motorleistung (kW)		1.5
Motortyp		dreiphasig
220 V - 50 Hz (A)		8
380 V - 50 Hz (A)		4.5
Taktung (Stück/h)		900

	D16 rund	D20 rund	D20 viereckig
Min./max. Gewicht der Teiglinge (in g)	125/1125	100/900	150/950 300/1900 bei Option 10/20
Fassungsvermögen des Trogs (in kg)	18	18	19

Damit die Maschine optimal funktioniert, muss der Feuchtigkeitsgehalt mindestens 55 % betragen.

4.2 Materialien der Teile, die in Kontakt mit dem Schnittgut kommen

viereckiger Trog: Edelstahl 304

runder Trog: Gusseisen FGL200

Glättbrett rechteckiger Trog: GHA-beschichtetes Aluminium

Glättbrett runder Trog: mit Teflon beschichtetes Gusseisen

Messer: Edelstahl 304

Deckel: Aluminium AISi10Mg

5 INSTALLATION UND INBETRIEBNAHME

5.1 Auspacken der Maschine:

Unsere Maschinen werden zur Lieferung ab Werk auf Paletten verpackt, mit Umreifungsbändern gesichert und mit einer Kartonverpackung geschützt. Prüfen Sie die Verpackung bei Erhalt auf Beschädigungen und teilen Sie dem Spediteur etwaige Transportschäden direkt mit.

- A. Den Karton entfernen.
- B. Die seitlichen Abdeckungen von der Maschine entfernen, um Zugang zu den Schrauben zu haben, mit denen die Maschine auf der Palette gesichert ist.

- C. Die vier Schrauben zur Sicherung der Maschine lösen und die Maschine von der Palette entfernen (Fig. 5).
- D. Heben Sie die Maschine von der Palette. Dies muss durch mindestens zwei Personen erfolgen, so dass die Maschine möglichst sicher auf dem Boden abgesetzt werden kann.
- E. Option Easyflour: Befüllen des Easyflour-Mehlstreuers (Fig. 7) mit Mehl

Die Maschine nach dem Auspacken auf Transportschäden überprüfen. Melden Sie uns bitte alle Fehler und Schäden.

5.2 Aufstellung:

Um eine hohe Leistung, eine lange Lebensdauer und einen zuverlässigen Betrieb sicherzustellen, sollte der Aufstellort wie folgt beschaffen sein:

Gut belüftet, vor direkter Sonneneinstrahlung geschützt, in ausreichender Entfernung zu Wärmequellen, mit ebenem, tragfähigem und schwingungsfreiem Boden.

5.3 Anschluss an die Stromversorgung:

WICHTIG: Die Erdung der Maschine ist vorgeschrieben.

Wir empfehlen den Schutz der Anlage durch eine Sicherung und einen FI-Schutzschalter.

Ihr Stromnetz zur Versorgung der Maschine muss folgendermaßen geschützt werden:

- Nordamerika: Schutz 15 A;
- Rest der Welt: Schutz 16 A.

Maschinen mit Stromrichter müssen zwingend über einen FI-Schutzschalter für 300 mA angeschlossen werden.

Hinweis: Probleme und Störungen, die sich durch abweichende Ausführung des Anschlusses ergeben, sind nicht durch die Garantie gedeckt.

Prüfen Sie vor dem Anschließen der Maschine an das Stromnetz unbedingt, ob die Stromversorgung für die Maschine geeignet ist (siehe Angaben auf dem Typenschild), um einen Motorausfall beim Einschalten zu vermeiden.

Dieses Gerät entspricht den Maschinenrichtlinien 2006/42/EG, 2014/35/EU, 2014/30/EU und ist daher mit dem CE-Zeichen gekennzeichnet.

Bitte beachten Sie die an der Maschine angebrachten Warnsymbole:



Warnsymbol zur Anzeige der Gefahr eines tödlichen Stromschlags. Die Maschine vor jedem Eingriff vom Stromnetz nehmen. Dies befindet sich innen in der Maschine auf dem Schaltschrank. (Fig. 11 Nr. 20)

Der Schaltplan der Maschine befindet sich auf der Innenseite der linken Tür des Teigteilers. (Fig. 11 Nr. 21)

5.4 Inbetriebnahme:

Vor der Inbetriebnahme sicherstellen, dass sich keine Fremdkörper auf den beweglichen Teilen der Maschine befinden.

Zunächst (nach Überprüfung der elektrischen Übereinstimmung) sicherstellen, dass der Motor in die richtige Richtung dreht. Dazu muss der Kopf nach oben bewegt werden, wenn Sie den Bedienhebel zu sich ziehen. Ist dies nicht der Fall, den Stecker ziehen und die beiden Phasen darin umkehren.

Fullmatic-Option: Beim Einschalten blinkt die grüne Taste (Fig. 4 Nr. 23). Drücken Sie diese Taste, um die Initialisierung zu starten. Wenn der Kopf dann nicht hochfährt und das Lämpchen schnell blinkt, ziehen Sie den Netzstecker und vertauschen Sie die beiden Phasen im Stecker.

Weitere Informationen zur Verwendung der Maschine erhalten Sie im Abschnitt „Bedienung“.

5.5 Gefahr:

Bei einer Gefahr für den Anwender oder die Maschine ist die Maschine über den Hauptschalter auszuschalten.

Vor Wartungs- oder Instandsetzungsmaßnahmen den Netzstecker ziehen.

Wartungsmaßnahmen und der Austausch von Ersatzteilen dürfen nur durch einen zugelassenen Vertreter durchgeführt werden.

6 BEDIENELEMENT UND SICHERHEITSVORRICHTUNG

6.1 Bedienelement:

Ihre Maschine ist serienmäßig mit einem mechanischen Bedienpult ausgestattet (Fig. 3).

Fullmatic-Option: Ihre Maschine ist serienmäßig mit einem mechanischen Bedienpult ausgestattet (Fig. 4).

6.2 Arbeitsbereich:

Der Einstellbereich für den Druck und das Mehlauffangsystem befindet sich an der Vorderseite der Maschine (nur DIV-R) (Fig. 6).

Fullmatic-Option: Der Einstellbereich für die Presszeit und der Wahlschalter Mulde halbvoll/voll befindet sich vorne an der Maschine (Fig. 4 Nr. 22, 24).

Der Arbeitsbereich befindet sich an der Vorderseite der Maschine (Fig. 4 Nr. 17).

7 BEDIENUNG

Zu Tagesbeginn bei den DIV 16r, DIV20r, DIV-R 16r oder DIV-R 20r den Innenbereich des runden Trogs mit einem mit Öl getränkten weichen Tuch einfetten.

Bedienung (Fig. 8, 9)

A. Den Pilztaster (Not-Aus) (Fig. 3, Nr. 14), sofern er nicht betätigt ist, um eine 1/4-Umdrehung nach rechts drehen.

B. Die Abdeckung (Fig. 1, Nr. 1) öffnen.



- C. Bei Bedarf die Oberseite der Glättbretter (Fig. 1, Nr. 4) im Trog (Fig. 1, Nr. 3) leicht bemehlen.
Option Easyflour: Bemehlen Sie den Kopf in der Mulde leicht mit Easyflour.
- D. Den Teig in den Trog (Fig. 1, Nr. 3) geben und ihn grob mit der Hand verteilen.
Option Easyflour: Bestäuben Sie den Teig leicht mit Mehl mit Easyflour.
- E. Die Abdeckung (Fig. 1, Nr. 1) über den Griff (Fig. 1, Nr. 8) schließen.
- F. Mit der Option 10/20 (Option DIV 20 viereckig, DIV-R 20 viereckig) lassen sich über den Wahlschalter an der Vorderseite (Fig. 3, Nr. 15) 10 oder 20 Teilungen einstellen.
- G. Den Stapeldruck (Option DIV-R 16 rund, DIV-R 20 rund, DIV-R 20 viereckig) über den Druckeinstellgriff auf der Vorderseite (Fig. 6 Nr. 19) einstellen.
- H. Am Bedienhebel (Fig. 3, Nr. 16) ziehen, um den Kopf nach oben zu bewegen und den Teig zu teilen.
- I. Leicht gegen den Hebel (Fig. 3, Nr. 16) drücken, um Druck entweichen zu lassen und den Deckel zu öffnen.
- J. Die Abdeckung (Fig. 1, Nr. 1) öffnen.
- K. Am Hebel ziehen, um den Kopf nach oben zu bewegen, um die Teiglinge entnehmen zu können (Fig. 3, Nr. 16).

Mit dem Not-Aus kann ein Zyklus unterbrochen werden (Fig. 3, Nr. 14).

Fullmatic-Option: Bedienung (Fig. 10)

- A. Pilztaster (Not-Aus) (Fig. 3 Nr. 14), sofern er nicht betätigt wurde, um eine Vierteldrehung nach rechts drehen.
- B. Wenn die grüne Taste blinkt, drücken Sie sie zum Initialisieren der Maschine.
- C. Abdeckung (Fig. 1 Nr. 1) öffnen.
- D. Wählen Sie die Position des Kopfs (Mulde voll oder halbvoll) mit dem Wahlschalter an der Vorderseite.
- E. Bei Bedarf Teigglätter (Fig. 1 Nr. 4) in der Mulde (Fig. 1 Nr. 3) oben leicht bemehlen.
Option Easyflour: Bemehlen Sie den Kopf in der Mulde leicht mit Easyflour.
- F. Teig in die Mulde geben und grob mit der Hand verteilen.
Option Easyflour: Bestäuben Sie den Teig leicht mit Mehl mit Easyflour.
- G. Der Pressdruck lässt sich mit dem Druckeinstellgriff und die Presszeit mit dem Schalter vorne an der Maschine einstellen.
Mit der Option 10/20 können Sie mit dem Wahlschalter an der Vorderseite einstellen, ob der Teig in 10 oder 20 Teiglinge geteilt wird.
- H. Deckel schließen, damit der Kopf hochfährt und der Teig geteilt wird.
- I. Wenn das Lämpchen wieder leuchtet, können der Deckel geöffnet und die Teiglinge entnommen werden.

Mit der Not-Aus-Taste kann ein laufender Vorgang unterbrochen werden (Fig. 3 Nr. 14).

Option Easyflour: Befüllen des Easyflour-Mehlstreuers (Fig. 7)

- A. Öffnen Sie den Deckel des Mehlstreuers.
- B. Füllen Sie Mehl in den Behälter des Mehlstreuers ein (Fig. 7 Nr. 25).
- C. Schließen Sie den Deckel des Mehlstreuers.
- D. Stellen Sie die Leistung des Mehlstreuers mit dem Cursor ein (Fig. 7 Nr. 26).

8 INSTANDHALTUNG

8.1 Täglich durch einen eingewiesenen Bediener:

Den Kopf und die Messer absenken und den Trog reinigen.
Die Abdeckung reinigen.

Auf die Taste zum Anheben der Messer drücken und gleichzeitig am Hebel ziehen, um die Messer nach oben zu bewegen.
 Die Messer reinigen.
 Am Hebel ziehen, um den Kopf nach oben zu bewegen und Teig- und Mehreste absaugen.
 Fullmatic-Option:
 Kopf und Messer absenken und Mulde reinigen.
 Abdeckung reinigen.
 Drücken Sie die Taste zum Hochfahren der Messer, damit die Messer hochgefahren werden.
 Reinigen Sie die Messer.
 Drücken Sie die grüne Taste, damit der Kopf hochfährt, und saugen Sie Teig- und Mehreste ab.

8.2 Wöchentlich durch einen eingewiesenen Bediener:

Das gesamte Gehäuse mit einem weichen Tuch abwischen.
 Den Mehlauffangbehälter (nur DIV-R) leeren (Fig. 6 Nr. 18).
 Bei abgesenktem Kopf auf die Taste zum Anheben der Messer drücken und gleichzeitig am Hebel ziehen, um die Messer nach oben zu bewegen.
 Den Not-Aus betätigen und die seitlichen Türen mit einem Schraubendreher abnehmen.
 Den gesamten Innenbereich und die mechanischen Teile der Maschine absaugen.
 Die seitlichen Türen wieder einsetzen.
 Fullmatic-Option:
 Das gesamte Gehäuse mit einem weichen Tuch abwischen.
 Mehlauffangbehälter (nur DIV-R) ausleeren (Fig. 6 Nr. 18).
 Drücken Sie bei abgesenktem Kopf die Taste zum Hochfahren der Messer, damit die Messer hochgefahren werden.
 Not-Aus-Schalter betätigen und seitliche Türen mit einem Schraubendreher abnehmen.
 Gesamten Innenbereich und alle mechanischen Teile der Maschine absaugen.
 Seitliche Türen wieder einsetzen.

8.3 Halbjährlich durch einen zugelassenen Vertreter:

Den Kopf absenken.
 Den Not-Aus betätigen und die rechte seitliche Türe mit einem Schraubendreher abnehmen.
 Den Ölstand überprüfen. (Der Ölstand muss zwischen 4 und 5 cm oberhalb des oberen Rands des Alubügels stehen).
 HINWEIS: Im Folgenden haben wir eine unvollständige Liste mit kompatiblen Hydraulikölen zusammengestellt.

CONDAT	HYDROLUB S46
ELF	HYDRELF DS46
CASTROL	AYSPIN AWS46
TOTAL	AZOLLA ZS32

Hier bitte sicherstellen, dass Ihr zugelassener Vertreter diese Maßnahmen im Wartungsheft festhält, um Ihren Garantieanspruch von fünf Jahren zu erhalten.

9 ERSATZTEILE

Um Ersatzteile für Ihre Maschine zu bestellen, lassen Sie von Ihrem Vertreter anhand des Ersatzteilkatalogs des Herstellers prüfen, um welche Teile es sich genau handelt. Dazu immer die Maschinenummer übermitteln, die auf dem Typenschild steht. Ihr Vertreter bestellt das Ersatzteil dann bei JAC.

9.1 ERSATZTEILLISTE

TEILENUMMER	NEUES TEXTBLATT	MODELL
F1500009	DICHTUNG DES DECKELS	DIV-R
F1500004	FEDER DES DECKELS	ALLE
F1512014	FEDER DES GITTERS	ALLE
10040012	VERSCHLEISSPLATTE	ALLE
HUILEHYDROS46	HYDRAULIKÖL	ALLE
F140000311	DOPPELEXZENTER	ALLE

10 STÖRUNGEN UND FEHLER

VORSICHT: Vor allen Eingriffen an der Maschine ist die Maschine zwingend von der Stromversorgung zu trennen.

Problem	Fehlersuche
Die Maschine lässt sich nicht einschalten	Die allgemeine Versorgung und die Versorgung des Motors überprüfen. Überprüfen, ob das Thermorelais geschaltet hat.
Die Hydraulikzentrale schaltet zu, aber der Kopf bewegt sich nicht nach oben	Die beiden Phasen am Maschinenanschluss umkehren.
Die Maschine hat nicht genug Leistung	Den Ölstand überprüfen, dieser muss zwischen 4 und 5 cm zum oberen Rand betragen.
Der Kopf bewegt sich nach oben, aber die Messer fahren nicht aus	Wenden Sie sich bitte an Ihren Servicetechniker.
Ölspuren am Boden	Wenden Sie sich bitte an Ihren Servicetechniker.
Fullmatic-Option: Das grüne Lämpchen blinkt schnell.	Not-Aus-Schalter drücken.



Bei Anhalten des Problems wenden Sie sich bitte an Ihren Servicetechniker.

11 LISTE DER ABGEBILDETEN TEILE UND FUNKTIONEN

Abbildung	Nummer	Bezeichnung
1	1	Pressdeckel
	2	Deckeldichtung (DIV-R 16r – DIV-R 20r – DIV-R 20c)
	3	Mulde
	4	Teigglätter
	5	Mehlaustrag (DIV-R 16r - DIV-R 20r - DIV-R 20c)
	6	Schutzgriff (DIV-R 16r DIV-R 20r DIV-R 20c)
	7	Rollen mit Bremse
	8	Pressdeckelschließhebel
	9	Pressdeckelverriegelung
	10	Türgriff
	11	Druckregelklappe (DIV-R 16r – DIV-R 20r – DIV-R 20c)
2	12	Messer
3	13	Messer anheben
	14	Not-Aus-Schalter
	15	Wahlschalter 10/20 Messer (Option 10/20)
	16	Teigglätter heben oder senken
4	15	Wahlschalter 10/20 Messer (Option 10/20)
	22	Einstellen der maximalen Presszeit
	23	Anzeige und Start des Automatikbetriebs
	24	Wahlschalter Mulde voll/halbvoll
5	17	Arbeitsbereich
6	18	Mehlauffangbehälter (DIV-R 16r – DIV-R 20r – DIV-R 20c)
	19	Druckregelung (DIV-R 16r – DIV-R 20r – DIV-R 20c)
7	25	Befüllvorrichtung für Easyflour
	26	Einstellcursor für die Bemehlungsleistung
11	20	Piktogramm Stromschlaggefahr
	21	Schaltplan

1	VÓÓR DE INBEDRIJFSTELLING	36
2	GARANTIE	36
3	WAARSCHUWINGEN	37
4	TECHNISCHE EIGENSCHAPPEN	38
4.1	Technische eigenschappen.....	38
4.2	Materiaal dat rechtstreeks in contact komt met het deeg	38
5	INSTALLATIE EN INBEDRIJFSTELLING	38
5.1	De machine uit de verpakking halen:	38
5.2	Plaatsing:.....	39
5.3	Elektrische aansluiting:	39
5.4	Inbedrijfstelling:.....	39
5.5	Gevaar:	40
6	BEDIENINGS- EN VEILIGHEIDSPANEEL	40
6.1	Bedieningspaneel:.....	40
6.2	Werkzone:.....	40
7	GEBRUIK	40
8	ONDERHOUD	42
8.1	Dagelijks door een opgeleide gebruiker.....	42
8.2	Wekelijks door een opgeleide gebruiker.....	42
8.3	Halfjaarlijks door een erkende verdeler.....	42
9	VERBRUIKSGOEDEREN	43
9.1	Lijst met VERBRUIKSGOEDEREN	43
10	STORINGEN	43
11	LIJST MET ONDERDELEN OP DE AFBEELDINGEN	44

1 VÓÓR DE INBEDRIJFSTELLING

Bedankt dat u hebt gekozen voor een JAC-oplossing. Neem deze gebruikershandleiding grondig door voordat u deze machine installeert en in werking stelt. Zo kunt u uzelf beschermen en schade aan uw machine vermijden.

Deze handleiding verwijst naar diverse afbeeldingen zodat u de instructies beter kunt begrijpen. Deze afbeeldingen bevinden zich op het einde van de handleiding. Raadpleeg ze wanneer u de volgende symbolen tegenkomt (fig.X, n°Y).

Om nog jarenlang van uw machine te genieten, raden we u aan om de volgende adviezen na te leven:

- Doe een beroep op uw erkende verdeler voor de installatie, inbedrijfstelling en opvolging.
- Om te kunnen genieten van de garantie van vijf jaar (zie verder voor de voorwaarden), moet u bij de installatie van uw machine het onderhoudsboekje laten invullen door uw verdeler. Dit onderhoudsboekje bevindt zich aan de achterkant van uw machine.

2 GARANTIE



JAC biedt een garantie van vijf jaar op al zijn producten.

Deze garantie is geldig voor alle onderdelen van uw machine, waaronder de elektronische onderdelen, maar uitgezonderd de verbruiksgoederen. De garantie treedt in werking op de installatiedatum van het materiaal.

Onder de volgende beperkende voorwaarden:

- Het materiaal moet bij een erkende verdeler zijn aangekocht.
- De installatie moet door een erkende verdeler zijn uitgevoerd.
- Het materiaal moet worden gebruikt in overeenstemming met de aanwijzingen in de gebruikershandleiding en voor het doel waarvoor het werd geproduceerd.
- Het materiaal moet dagelijks worden onderhouden in overeenstemming met de aanwijzingen in de gebruikershandleiding.
- Ten minste één keer per jaar moet onderhoud worden uitgevoerd door de erkende verdeler en dit in overeenstemming met de onderhoudsspecificaties (onderhoud ten laste van de gebruiker).
- Alleen originele JAC-onderdelen mogen worden gebruikt.



Als er geen onderhoud wordt uitgevoerd door een erkende verdeler en/of het onderhoudsboekje niet correct wordt ingevuld, is de garantie beperkt tot één jaar.

Het volgende valt niet onder deze garantie:

- De vervanging van verbruiksgoederen (§9).
- Defecte stukken die door onze diensten niet worden erkend.
- Problemen ten gevolge van een abnormaal gebruik van het materiaal.
- Problemen doordat de installatie niet door een erkende verdeler is uitgevoerd.
- De onderdelen of problemen die het gevolg zijn van transportschade of een ongepaste behandeling.

Een reparatie en/of een vervanging van defecte onderdelen tijdens de garantieperiode verlengt deze garantie niet.

3 WAARSCHUWINGEN

Het is heel belangrijk dat deze gebruikershandleiding bij het apparaat wordt bewaard zodat ze later kan worden geraadpleegd. Als dit apparaat wordt verkocht of aan een andere persoon wordt overgedragen, zorg er dan voor dat de gebruikershandleiding wordt overhandigd zodat de gebruiker op de hoogte is van de werking ervan en van de daarin vermelde waarschuwingen.



Deze waarschuwingen worden gegeven voor uw veiligheid en die van anderen. We vragen u dan ook ze aandachtig te lezen vooraleer u het apparaat installeert en gebruikt.

Deze machine werd ontworpen om door bevoegde volwassenen te worden gebruikt. Zorg er dus voor dat kinderen de machine niet aanraken en niet als speelgoed beschouwen.

Deze machine is uitsluitend voorbehouden voor professioneel gebruik.

Het is gevaarlijk om de eigenschappen van deze machine te wijzigen of te proberen wijzigen.

Zorg er na de installatie van deze machine voor dat ze niet op het netsnoer staat.

Volg de meegeleverde gebruiksinstructies.

Deze machine moet worden bewaard en gebruikt in een ruimte die niet vochtig of warm wordt.

Deze machine moet voldoende verlicht zijn om het werk uit te voeren.

Deze machine heeft een geluidsniveau van minder dan 70 dB(A) conform de norm EN ISO 3744.

Deze machine moet door één enkele persoon tegelijkertijd worden gebruikt (behoudens tegengestelde instructie).



Haal altijd de stekker uit het stopcontact voordat u de buiten- of binnenkant van het apparaat schoonmaakt of onderhoud uitvoert.

Dit apparaat is zwaar. Neem alle veiligheidsmaatregelen tijdens het onderhoud.

4 TECHNISCHE EIGENSCHAPPEN

4.1 Technische eigenschappen

	DIV	DIV-R
Hoogte open deksel (mm)		1761
Breedte (mm)		600
Diepte (mm)		810
Verpakking (mm)		790x880x1310
Nettogewicht (kg)	260	265
Nettogewicht + verpakking (kg)	280	285
Motorvermogen (kW)		1,5
Motortype		Driefasig
220 V - 50 Hz (A)		8
380 V - 50 Hz (A)		4,5
Tempo (stukken/u)		900

	D16 rond	D20 rond	D20 vierkant
Gewicht van deegklompen min./max. (g)	125/1125	100/900	150/950 300/1900 bij optie 10/20
Capaciteit van de kuip (kg)	18	18	19

Voor een perfecte werking moet het hydratatiegehalte minimaal 55% bedragen.

4.2 Materiaal dat rechtstreeks in contact komt met het deeg .

Vierkante kuip: INOX304

Ronde kuip: Gietijzer FGL200

Afstrijkers van vierkante kuip: Bekleed aluminium GHA

Afstrijkers van ronde kuip: Gietijzer bekleed met teflon

Messen: Inox 304

Deksel: Aluminium AISi10Mg

5 INSTALLATIE EN INBEDRIJFSTELLING

5.1 De machine uit de verpakking halen:

De machines worden uit onze ateliers op pallets, verankerd en met karton beschermd geleverd. U moet eerst en vooral de verpakking bekijken en elke transportschade rechtstreeks aan de koerier melden.

- Haal het karton weg.
- Haal de laterale omhullingen van de machine af om toegang te krijgen tot de schroeven die de machine op de pallet houden.
- Haal de machine van de pallet door de vier schroeven los te draaien die de machine vasthouden (fig.12).
- Haal de machine van de pallet. Doe dit met minstens twee personen zodat de machine niet met een schok op de grond terechtkomt.
- OPTIE EASYFLOUR: Vul de bloemstrooier Easyflour (fig.7) met bloem



Na het uitpakken van uw machine moet u nakijken of ze tijdens het transport geen schade heeft opgelopen. Meld ons elke afwijking.

5.2 Plaatsing:

Voor uitstekende prestaties en betrouwbaarheid op lange termijn moet u een plaats kiezen die:

Goed verlucht is, niet blootgesteld is aan direct zonlicht en uit de buurt is van warmtebronnen, met een vlak, stevig en trillingsvrij oppervlak.

5.3 Elektrische aansluiting:

BELANGRIJK: Verplichte aarding.

Er wordt aangeraden om de installatie te beveiligen met een zekering en differentieelschakelaar.

Uw elektriciteitsinstallatie die stroom levert aan de machine moet als volgt worden beveiligd:

- Noord-Amerika: Beveiliging 15 A

- Rest van de wereld: Beveiliging 16 A

Machines die uitgerust zijn met een regelaar moeten worden aangesloten op een aftakdoos op een lijn die uitgerust is met een differentieelschakelaar van 300 mA.

Opmerking: Elk probleem dat te wijten is aan een andere soort aansluiting wordt niet gedekt door de garantie.

Voordat u uw machine op het net aansluit en om een storing van de motor bij het onder spanning zetten te vermijden, is het belangrijk dat u controleert of het elektriciteitsnet overeenstemt met de eigenschappen van de machine (zie het identificatieplaatje).

Dit apparaat is conform de machinerichtlijnen 2006/42, 2014/35, 2014/30 en draagt de CE-markering die van deze conformiteit getuigt.

Houd rekening met de veiligheidspictogrammen op de machine:



Pictogram dat wijst op gevaar voor elektrocutie. Trek de machine vóór elke interventie uit het stopcontact. Deze is terug te vinden binnenin de machine op de schakelkast (fig.11, n°20).

U vindt het elektrische schema van de machine aan de binnenkant van de linkerdeur van de verdeler (fig.11, n°21).

5.4 Inbedrijfstelling:

Zorg er vóór de inbedrijfstelling voor dat er zich geen enkel storend voorwerp bevindt op de bewegende onderdelen van de machine.

Wees er eerst zeker van (na controle van de elektrische overeenstemming) dat de motoren in de juiste richting draaien. Daartoe moeten de kop omhooggaan wanneer u de bedieningshendel naar u toe trekt. Als dit niet het geval is, trek dan de stekker uit het stopcontact en keer de twee fasen erin om.

Raadpleeg het hoofdstuk "Gebruik" voor informatie over het gebruik van de machine.

OPTIE FULLMATIC: Bij het inschakelen knippert de groene knop (fig.4, n°23). Druk erop om de initialisatie te starten. Als de kop in deze fase niet omhoog gaat en het controlelampje snel knippert, haal dan de stekker uit het stopcontact en keer de twee fasen erin om.

5.5 Gevaar:

Als er gevaar is voor de gebruiker of voor de machine, moet u de hoofdschakelaar gebruiken om de stroomtoevoer naar de machine te onderbreken.

Haal de stekker uit het stopcontact voordat u onderhoud uitvoert.

Elk onderhoud of vervanging van een onderdeel moet door een bevoegde verdeler worden uitgevoerd.

6 BEDIENINGS- EN VEILIGHEIDSPANEEL

6.1 Bedieningspaneel:

Uw machine is standaard uitgerust met een mechanisch bedieningspaneel (fig. 3).

OPTIE FULLMATIC: Uw machine is uitgerust met een mechanisch bedieningspaneel (fig. 4).

6.2 Werkzone:

De zone voor de drukregeling en het ophalen van het bloem bevindt zich aan de voorkant van de machine (alleen DIV-R) (fig.5, n°19).

OPTIE FULLMATIC: de zone voor de afstelling van de perstijd en de selectieschakelaar halve kuip/volle kuip bevindt zich aan de voorkant van de machine (fig.4, n°22, 24)

De werkzone bevindt zich aan de voorkant van de machine (fig.5, n°17).

7 GEBRUIK

Aan het begin van de dag moet bij een DIV 16r, DIV20r, DIV-R 16r of DIV-R 20r de binnenkant van de ronde kuip met olie worden ingesmeerd met behulp van een licht in olie gedrenkte doek.

Gebruiksprocedure (fig.8, 9)

A. Draai de vuistslagknop (noodstop) (fig.3, n°14) een kwartdraai naar rechts als deze niet ingeschakeld is.

B. Open de klep (fig.1, n°1).

C. Bestrooi, indien nodig, de bovenkant van de afstrijkers (fig.1, n°4) in de kuip licht met bloem (fig.1, n°3)

OPTIE EASYFLOUR: Bestrooi het oppervlak van de kop in de kuip licht met bloem met behulp van de Easyflour.

D. Plaats het bloem in de kuip (fig.1, n°3) en verdeel ze ruwweg met de hand.

OPTIE EASYFLOUR: Bestrooi het oppervlak van het deeg licht met bloem met behulp van de Easyflour.



- E. Sluit de klep (fig.1, n°1) met behulp van de hendel (fig.1, n°8).
- F. Met de optie 10/20 (optie DIV 20 vierkant, DIV-R 20 vierkant) kunt u kiezen om te snijden in 10 of 20 verdelingen dankzij de keuzeschakelaar aan de voorkant (fig.3, n°15).
- G. Regel de persdruk (optie DIV-R 16 rond, DIV-R 20 rond, DIV-R 20 vierkant) met de drukregelhendel aan de voorkant (fig.6, n°19).
- H. Trek aan de bedieningshendel (fig.3, n°16) om de kop omhoog te brengen en het deeg te verdelen.
- I. Duw even tegen de hendel (fig.3, n°16) om de druk te verminderen zodat het deksel kan worden geopend.
- J. Open de klep (fig.1, n°1).
- K. Trek aan de hendel om de kop omhoog te brengen en de deegklompen te nemen (fig.3, n°16).

Met de noodstopknop kunt u een lopende cyclus stoppen (fig.3, n°14).

OPTIE FULLMATIC: Gebruiksprocedure (fig.10)

- A. Draai de vuistslagknop (noodstop) (fig.3, n°14) een kwartdraai naar recht als deze niet ingeschakeld is.
- B. Druk op de groene knop als die knippert om de machine te initialiseren.
- C. Open de klep (fig.1, n°1).
- D. Kies de positie van de kop (halve kuip of volle kuip) via de keuzeschakelaar vooraan.
- E. Bestrooi indien nodig de bovenkant van de afstrijkers (fig.1, n°4) in de kuip licht met bloem (fig.1, n°3).

OPTIE EASYFLOUR: Bestrooi het oppervlak van de kop in de kuip licht met bloem met behulp van de Easyflour.

F. Plaats het deeg in de kuip en verdeel het ruwweg met de hand.

OPTIE EASYFLOUR: Bestrooi het oppervlak van het deeg licht met bloem met behulp van de Easyflour.

- G. U kunt de persdruk regelen met de drukregelhendel aan de voorkant evenals de perstijd met de knop vooraan.

Met de optie 10/20 kunt u kiezen om te snijden in 10 of 20 verdelingen dankzij de keuzeschakelaar aan de voorkant.

- H. Sluit het deksel om de kop omhoog te brengen en het deeg te verdelen.
- I. Als het controlelampje opnieuw brandt, open het deksel en haal de deegklompen eruit.

Met de noodstopknop kunt u een lopende cyclus stoppen (fig.3, n°14).

OPTIE EASYFLOUR: Procedure om bloem te vullen in Easyflour (fig.7)

- A. Open het deksel van de bloemstrooier.
- B. Giet de bloem in de vulzone van de bloemstrooier (fig.12, n°25).
- C. Sluit het deksel van de bloemstrooier.
- D. Stel het debiet van de bloemstrooier af met behulp van de schuifregelaar (fig.7, n°26).

8 ONDERHOUD

8.1 Dagelijks door een opgeleide gebruiker.

Plaats de kop en de messen in lage positie en maak de kuip schoon.

Maak het deksel schoon.

Druk op de knop om de messen omhoog te halen door aan de hendel te trekken om de messen omhoog te halen.

Maak de messen schoon.

Trek aan de hendel om de kop omhoog te halen en zuig de deeg- en bloemresten op.

OPTIE FULLMATIC:

Plaats de kop en de messen in lage positie en maak de kuip schoon.

Maak het deksel schoon.

Druk op de knop voor het omhooghalen van de messen om de messen omhoog te halen.

Maak de messen schoon.

Druk op de groene knop om de kop omhoog te halen en zuig de deeg- en bloemresten op.

8.2 Wekelijks door een opgeleide gebruiker.

Was de hele carrosserie met behulp van een vochtige doek.

Maak de bloemopvangbak leeg (alleen DIV-R) (fig.6, n°18).

Druk, met de kop omlaag, op de knop om de messen omhoog te halen door aan de hendel te trekken om de messen omhoog te halen.

Schakel de noodstop in en verwijder de laterale deuren met een schroevendraaier.

Stofzuig alle interne onderdelen van de machine evenals de mechanische onderdelen.

Plaats de laterale deuren opnieuw op hun plaats.

OPTIE FULLMATIC:

Was de hele carrosserie met behulp van een vochtige doek.

Maak de bloemopvangbak leeg (alleen DIV-R) (fig.6, n°18).

Als de kop omlaag is, druk op de knop voor het omhooghalen van de messen om de messen omhoog te halen.

Schakel de noodstop in en verwijder de laterale deuren met een schroevendraaier.

Stofzuig alle interne onderdelen van de machine evenals de mechanische onderdelen.

Plaats de laterale deuren opnieuw op hun plaats.

8.3 Halfjaarlijks door een erkende verdeler.

Plaats de knop in lage positie.

Schakel de noodstop in en verwijder de laterale rechterdeur met een schroevendraaier.

Controleer het oliepeil. (Het peil moet zich tussen 4 en 5 cm van de bovenrand van de aluminiumflens bevinden.)

OPMERKING: Hieronder vindt u een onvolledige lijst van de compatibele hydraulische oliën:

CONDAT	HYDROLUB S46
ELF	HYDRELF DS46
CASTROL	AYSPIN AWS46
TOTAL	AZOLLA ZS32

Controleer goed of uw erkende verdeler zijn interventie in uw onderhoudsboekje heeft genoteerd zodat u uw garantie van vijf jaar behoudt.



9 VERBRUIKSGOEDEREN

Ga bij de bestelling van een reserveonderdeel met uw verdeler na om welk stuk het gaat op basis van de reserveonderdelencatalogus van de fabrikant.

Geef altijd het machinenummer op zoals vermeld op het identificatieplaatje.

Uw verdeler voert de bestellingen uit bij JAC.

9.1 Lijst met VERBRUIKSGOEDEREN

REFERENTIE	NIEUWE OMSCHRIJVING	MODEL
F1500009	DEKSELAFDICHTING	DIV-R
F1500004	DEKSELVEER	ALLE
F1512014	ROOSTERVEER	ALLE
10040012	SLIJTPLAATJE	ALLE
OLIE HYDROS46	HYDRAULISCHE OLIE	ALLE
F140000311	DUBBEL EXCENTRISCH	ALLE

10 STORINGEN

Probleem	Controle
De machine start niet op	Controleer de algemene voeding en die van de motor. Controleer of het thermische relais is ingeschakeld.
De hydraulische centrale gaat van start, maar de kop komt niet omhoog	Keer twee fasen om op de stekker van de machine.
De machine heeft onvoldoende vermogen	Controleer het oliepeil; het peil moet zich op 4 tot 5 cm van de bovenrand bevinden.
De kop gaat omhoog, maar de messen komen niet naar buiten	Neem contact op met uw technicus.
Oliesporen op de grond	Neem contact op met uw technicus.
OPTIE FULLMATIC: Het groene controlelampje knippert snel	Schakel de noodstop in

OPGELET: Bij elke tussenkomst moet de machine verplicht worden uitgeschakeld.



Als het probleem zich blijft voordoen, neem dan contact op met uw technicus.

11 LIJST MET ONDERDELEN OP DE AFBEELDINGEN

Afbeelding	Nummer	Naam
1	1	Persdeksel
	2	Klepdichting (DIV-R 16r –DIV-R 20r – DIV-R 20c)
	3	Kuip
	4	Afstrijkers
	5	Weghalen van bloem (DIV-R 16r - DIV-R 20r - DIV-R 20c)
	6	Veiligheidshandgreep (DIV-R 16r DIV-R 20r DIV-R 20c)
	7	Wieltjes met rem
	8	Sluithendel van het persdeksel
	9	Vergrendeling van het persdeksel
	10	Deurklink
	11	Drukregelklep (DIV-R 16r – DIV-R 20r – DIV-R 20c)
2	12	Messen
3	13	Omhoog brengen van messen
	14	Noodstop
	15	Selectie 10/20 messen (optie 10/20)
	16	Omhoog of omlaag brengen van afstrijkers
4	15	Selectie 10/20 messen (optie 10/20)
	22	Afstelling van de maximale perstijd
	23	Verklikker en start van de automatische cyclus
	24	Keuzeschakelaar halve kuip – volle kuip
5	17	Werkzone
6	18	Bloemophaalbak (DIV-R 16r –DIV-R 20r – DIV-R 20c)
	19	Drukregelaar (DIV-R 16r – DIV-R 20r – DIV-R 20c)
7	25	Vulzone van de Easyflour
	26	Debietregelaar voor bloem
11	20	Pictogram dat wijst op elektrocutiegevaar
	21	Elektrisch schema

1	ПЕРЕД ВВОДОМ В ЭКСПЛУАТАЦИЮ	46
2	ГАРАНТИЯ.....	46
3	ПРЕДУПРЕЖДЕНИЯ.....	47
4	ТЕХНИЧЕСКИЕ ХАРАКТЕРИСТИКИ	48
4.1	Технические характеристики	48
4.2	Подробности о материалах, находящихся в непосредственном контакте с тестом.	48
5	УСТАНОВКА И ВВОД В ЭКСПЛУАТАЦИЮ	48
5.1	Распаковка машины	48
5.2	Место установки	49
5.3	Электрическое подключение.....	49
5.4	Ввод в эксплуатацию.....	50
5.5	Опасность	50
6	ОРГАНЫ УПРАВЛЕНИЯ И ПРЕДОХРАНИТЕЛЬНЫЕ УСТРОЙСТВА	50
6.1	Органы управления.....	50
6.2	Рабочая зона.....	50
7	ЭКСПЛУАТАЦИЯ	50
8	ТЕХНИЧЕСКОЕ ОБСЛУЖИВАНИЕ	52
8.1	Ежедневное, выполняется пользователем, прошедшим подготовку.....	52
8.2	Еженедельное, выполняется пользователем, прошедшим подготовку.....	52
8.3	Полугодичное, выполняется аккредитованным специалистом.....	52
9	РАСХОДНЫЕ МАТЕРИАЛЫ.....	53
9.1	Список РАСХОДНЫХ МАТЕРИАЛОВ	53
10	НЕПОЛАДКИ В РАБОТЕ	53
11	СПИСОК КОМПЛЕКТУЮЩИХ НА ИЗОБРАЖЕНИЯХ.....	54



1 ПЕРЕД ВВОДОМ В ЭКСПЛУАТАЦИЮ

Благодарим за то, что выбрали компанию JAC. Перед установкой машины и ее вводом в эксплуатацию обязательно прочтите настоящее руководство. Таким образом вы сможете защитить себя и избежать повреждений машины.

В настоящем руководстве содержатся ссылки на различные изображения, облегчающие понимание инструкций. Эти изображения находятся в конце руководства. Обращайтесь к ним, когда встретите в тексте обозначения следующего вида: (fig.X, n°Y).

Для обеспечения бесперебойной работы машины в будущем предлагаем ознакомиться с представленными ниже правилами.

— Для установки машины, ее ввода в эксплуатацию и контроля работы обращайтесь к аккредитованному специалисту.

— Чтобы на машину подействовала 5-летняя гарантия (см. необходимые условия далее), дистрибьютор должен заполнить журнал технического обслуживания при установке машины. Журнал технического обслуживания находится с тыльной части машины.

2 ГАРАНТИЯ



Компания JAC предоставляет 5-летнюю гарантию на всю свою продукцию.

Гарантия распространяется на все детали машины, в том числе электронные, кроме расходных материалов. Гарантия вступает в силу с даты установки оборудования.

Гарантия действует при соблюдении следующих ограничительных условий:

- Приобретение оборудования у аккредитованного дистрибьютора.
- Выполнение установки аккредитованным специалистом.
- Использование оборудования в соответствии с указаниями в руководстве по эксплуатации и по назначению, предусмотренному при производстве.
- Ежедневное обслуживание оборудования в соответствии с указаниями в руководстве по эксплуатации.
- Выполнение технического обслуживания аккредитованным специалистом в соответствии с требованиями по техническому обслуживанию не реже одного раза в год (производится за счет пользователя).
- Использование исключительно оригинальных деталей компании JAC.



При отсутствии контроля технического обслуживания со стороны аккредитованного специалиста и (или) в случае неправильного ведения журнала технического обслуживания действие гарантии ограничивается одним годом.

Гарантия не распространяется:

- На замену расходных материалов (§9).
- На детали, признанные неисправными не нашей компанией.
- На проблемы, возникшие вследствие неправильной эксплуатации оборудования.

— На проблемы, возникшие вследствие установки машины не аккредитованным специалистом.

— На детали или проблемы, связанные с нанесением ущерба во время транспортировки или ненадлежащим обращением при погрузочно-разгрузочных работах.

Ремонт и (или) замена неисправных деталей, выполненные в течение гарантийного периода, не могут послужить причиной продления данной гарантии.

3 ПРЕДУПРЕЖДЕНИЯ

Настоящее руководство следует сохранить для получения справочной информации при дальнейшей эксплуатации машины. В случае продажи или передачи машины другому лицу следует удостовериться, что руководство по эксплуатации передается вместе с ней, чтобы пользователь мог получить информацию о ее работе и связанных с ней предупреждениях.



Предупреждения изложены для обеспечения вашей безопасности и безопасности других лиц. Просим вас внимательно прочесть эти предупреждения перед установкой и эксплуатацией машины.

Машина разработана для использования совершеннолетними лицами с соответствующим разрешением. Поэтому нужно следить за тем, чтобы дети не прикасались к машине и не использовали ее в качестве игрушки.

Машина предназначена исключительно для использования в рабочих целях.

Опасно вносить изменения в характеристики машины или предпринимать соответствующие попытки.

После установки машины убедитесь в том, что она не стоит на кабеле электроснабжения.

Соблюдайте данные инструкции по эксплуатации.

Машина должна храниться и использоваться в помещении, защищенном от сырости и жары.

Машина должна быть достаточно освещена для выполнения работы.

Уровень шума машины ниже 70 дБ(А) согласно стандарту EN ISO 3744.

Машина не должна использоваться несколькими операторами параллельно (если не предписано иное).



Всегда отключайте машину от сети электропитания перед выполнением чистки внутренних/внешних поверхностей и операций по техническому обслуживанию.

Машина тяжелая. Принимайте все необходимые меры предосторожности при транспортировке и погрузочно-разгрузочных работах.

4 ТЕХНИЧЕСКИЕ ХАРАКТЕРИСТИКИ

4.1 Технические характеристики

	DIV	DIV-R
Высота с открытой крышкой (мм)	1761	
Ширина (мм)	600	
Глубина (мм)	810	
Упаковка (мм)	790 x 880 x 1310	
Масса нетто (кг)	260	265
Масса нетто + упаковка (кг)	280	285
Мощность мотора (кВт)	1.5	
Тип мотора	Трехфазный	
220 В, 50 Гц (А)	8	
380 В, 50 Гц (А)	4.5	
Темп производства (шт./ч)	900	

	D16 круглая	D20 круглая	D20 квадратная
Масса тестовых заготовок мин/макс (г)	125/1125	100/900	150/950 300/1900 при опции 10/20
Вместимость кюветы (кг)	18	18	19

Для правильной работы коэффициент гидратации должен составлять не менее 55%.

4.2 Подробности о материалах, находящихся в непосредственном контакте с тестом.

Квадратная кювета: НЕРЖ 304

Круглая кювета: чугун FGL200

Прижимные пластины квадратной кюветы: алюминий с покрытием GHA

Прижимные пластины круглой кюветы: чугун с тефлоновым покрытием

Ножи: нерж. 304

Крышка: алюминий AISi10Mg

5 УСТАНОВКА И ВВОД В ЭКСПЛУАТАЦИЮ

5.1 Распаковка машины

Машины из наших цехов поставляются на поддонах, закрепленные ремнями и в защитной картонной коробке. Прежде всего следует осмотреть упаковку на предмет наличия повреждений, полученных во время транспортировки, и сообщить о них непосредственно экспедитору.

A. Удалите картонную коробку.

B. Снимите боковые кожухи машины, чтобы получить доступ к винтам, удерживающим машину на поддоне.

- C. Открепите машину от поддона, открутив 4 винта, фиксирующих машину (fig.12).
- D. Снимите машину с поддона. В выполнении этой операции должны участвовать не менее двух человек для обеспечения максимально плавного соприкосновения машины с полом.
- E. ОПЦИЯ EASYFLOUR: Наполнить посыпатель муки Easyflour (fig.7) мукой

После распаковки машины убедитесь, что она не подвергалась повреждениям во время транспортировки. Сообщайте нам о любых дефектах.

5.2 Место установки

Для обеспечения долгосрочной высокой производительности и надежности машины следует правильно выбрать место установки.

Оно должно быть хорошо проветриваемым, защищенным от воздействия прямых солнечных лучей, удаленным от источников тепла, с ровной и прочной поверхностью, не подвергающейся вибрации.

5.3 Электрическое подключение

ВАЖНО! Обязательно наличие заземления.

Рекомендуется защитить электрическую установку с помощью плавкого предохранителя и дифференциального автоматического выключателя.

Электрическая установка, обеспечивающая питание машины, должна быть защищена следующим образом:

— Северная Америка: защита 15 А.

— Остальные страны: защита 16 А.

Машины, оборудованные регулятором скорости, обязательно должны подключаться к разветвительной коробке на линии с дифференциальным автоматом 300 мА.

Примечание. Любые проблемы, возникшие в связи с иным видом подключения, не будут покрываться гарантией.

Перед подключением машины к электросети и во избежание выхода мотора из строя в момент подключения следует убедиться в соответствии электросети характеристикам машины (см. заводской щиток).

Машина соответствует директивам по механическому оборудованию 2006/42, 2014/35, 2014/30 и имеет подтверждающую маркировку ЕС.

Ознакомьтесь с пиктограммами техники безопасности, имеющимися на машине.



Пиктограмма, предупреждающая об опасности поражения электрическим током. Отключите машину от электросети перед выполнением любых работ. Пиктограмма находится внутри машины на отсеке электрощитка. (fig.11, н°20)

Электросхема машины находится на внутренней стороне левой дверцы делителя. (fig.11, н°21)

5.4 Ввод в эксплуатацию

Перед вводом в эксплуатацию убедитесь в отсутствии любых посторонних предметов на подвижных частях машины.

В первую очередь после проверки соответствия электрических характеристик убедитесь в том, что мотор вращается в правильном направлении: если потянуть рычаг управления на себя, верхняя часть должна подниматься. Если это не так, отключите разъем и поменяйте местами 2 фазы на разъеме.

ОПЦИЯ FULLMATIC: При включении питания начинает мигать зеленая кнопка (fig.4, n°23). Нажмите на нее для запуска инициализации. Если в течение этого этапа верхняя часть не поднимается и быстро мигает индикатор, отключите разъем и поменяйте местами его 2 фазы.

Для получения ответов на все вопросы, касающиеся эксплуатации машины, см. раздел «Эксплуатация».

5.5 Опасность

В случае возникновения опасности для пользователя или для машины следует отключить электропитание с помощью главного выключателя.

Извлеките штекер из электрической розетки перед выполнением любых операций по техническому или периодическому обслуживанию.

Все операции по техническому обслуживанию или замене деталей должны осуществляться аккредитованным специалистом.

6 ОРГАНЫ УПРАВЛЕНИЯ И ПРЕДОХРАНИТЕЛЬНЫЕ УСТРОЙСТВА

6.1 Органы управления

Машина серийно оборудована механическим пультом управления (fig. 3).

ОПЦИЯ FULLMATIC: Машина оборудована механическим пультом управления (fig.4)

6.2 Рабочая зона

Зона регулировки давления и сбора муки находится в передней части машины (только у DIV-R) (fig.5, n°19).

ОПЦИЯ FULLMATIC: зона регулировки времени давления и переключатель «половина кюветы / полная кювета» расположены в передней части машины (fig.4, n°22, 24)

Рабочая зона находится в передней части машины (fig.5, n°17).

7 ЭКСПЛУАТАЦИЯ

В случае с DIV 16r, DIV20r, DIV-R 16r или DIV-R 20r в начале рабочего дня следует смазать внутренние поверхности круглой кюветы с помощью мягкой ветоши, смоченной в масле.

Порядок эксплуатации (fig.8,9)



- A. Поверните на 1/4 оборота вправо большую нажимную кнопку (аварийный останов) (fig.3, n°14), если она не включена.
- B. Откройте крышку (fig.1, n°1).
- C. В случае необходимости слегка посыпьте мукой верхнюю поверхность прижимных пластин (fig.1, n°4) в кювете (fig.1, n°3).
- ОПЦИЯ EASYFLOUR: Слегка посыпьте мукой верхнюю часть кюветы с помощью Easyflour.
- D. Выгрузите тесто в кювету (fig.1, n°3) и приблизительно равномерно распределите его рукой по поверхности.
- ОПЦИЯ EASYFLOUR: Слегка посыпьте тесто мукой с помощью Easyflour.
- E. Закройте крышку (fig.1, n°1) с помощью ручки (fig.1, n°8).
- F. При опции 10/20 (опция для квадратного DIV 20 и квадратного DIV-R 20) можно выбирать вариант резки на 10 или 20 частей с помощью переключателя на передней панели (fig.3, n°15).
- G. Отрегулируйте давление прессовки (опция для круглого DIV-R 16, круглого DIV-R 20 и квадратного DIV-R 20) с помощью регулировочной ручки на передней панели (fig.6, n°19).
- H. Потяните рычаг управления (fig.3, n°16), чтобы поднять верхнюю часть и разделить тесто.
- I. Коротко толкните рычаг (fig.3, n°16) для декомпрессии и возможности открыть крышку.
- J. Откройте крышку (fig.1, n°1).
- K. Потяните рычаг, чтобы поднять верхнюю часть и извлечь тестовые заготовки (fig.3, n°16).

Текущий цикл можно остановить с помощью кнопки аварийного останова (fig.3, n°14).

ОПЦИЯ FULLMATIC: Порядок эксплуатации (fig.10)

- A. Поверните на 1/4 оборота вправо большую нажимную кнопку (аварийный останов) (fig.3, n°14), если она не включена.
- B. Нажмите на зеленую кнопку для инициализации машины.
- C. Откройте крышку (fig.1, n°1).
- D. Выберите положение верхней части (половина кюветы или полная кювета) с помощью переключателя на передней панели.
- E. В случае необходимости слегка посыпьте мукой верхнюю поверхность прижимных пластин (fig.1, n°4) в кювете (fig.1, n°3).
- ОПЦИЯ EASYFLOUR: Слегка посыпьте мукой верхнюю часть кюветы с помощью Easyflour.
- F. Выгрузите тесто в кювету и приблизительно распределите его рукой по поверхности.
- ОПЦИЯ EASYFLOUR: Слегка посыпьте тесто мукой с помощью Easyflour.
- G. Давление прессовки можно регулировать с помощью ручки регулировки прессовки, расположенной на передней панели. Время прессовки можно регулировать с помощью кнопки на передней панели.
При наличии опции 10/20 можно выбирать вариант резки на 10 или 20 частей с помощью переключателя на передней панели.
- H. Закройте крышку, чтобы поднять верхнюю часть и разделить тесто.
- I. Когда индикатор включится снова, откройте крышку и извлеките тестозаготовки.

Текущий цикл можно остановить с помощью кнопки аварийного останова (fig.3, n°14).

ОПЦИЯ EASYFLOUR: Процедура наполнения посыпателя муки Easyflour (fig.7)

- A. Откройте крышку посыпателя муки.
 - B. Насыпьте муку в зону наполнения посыпателя муки (fig.7, n°25).
 - C. Закройте крышку посыпателя муки.
- Отрегулируйте расход посыпателя муки с помощью указателя (fig.7, n°26).

8 ТЕХНИЧЕСКОЕ ОБСЛУЖИВАНИЕ

8.1 Ежедневное, выполняется пользователем, прошедшим подготовку.

Установите верхнюю часть и ножи в нижнее положение и почистите кювету.

Почистите крышку.

Нажмите на кнопку подъема ножей и одновременно потяните рычаг, чтобы поднять ножи.

Почистите ножи.

Потяните рычаг, чтобы поднять верхнюю часть, и удалите с помощью пылесоса остатки теста и муки.

ОПЦИЯ FULLMATIC:

Установите верхнюю часть и ножи в нижнее положение и почистите кювету.

Почистите крышку.

Нажмите на кнопку подъема ножей, чтобы поднять ножи.

Почистите ножи.

Нажмите на зеленую кнопку, чтобы поднять верхнюю часть, и удалите с помощью пылесоса остатки теста и муки.

8.2 Еженедельное, выполняется пользователем, прошедшим подготовку.

Протрите весь корпус машины с помощью влажной салфетки.

Опорожните бак для сбора муки (только у DIV-R) (fig.5, n°18).

Когда верхняя часть находится в нижнем положении, нажмите на кнопку подъема ножей и одновременно потяните рычаг, чтобы поднять ножи.

Нажмите на кнопку аварийного останова и снимите боковые дверцы с помощью отвертки.

Почистите пылесосом все внутренние части и механические узлы машины.

Установите на место боковые дверцы.

ОПЦИЯ FULLMATIC:

Протрите весь корпус машины с помощью влажной салфетки.

Опорожните бак для сбора муки (только у DIV-R) (fig.6, n°18).

Когда верхняя часть находится в нижнем положении, нажмите кнопку подъема ножей, чтобы поднять ножи.

Нажмите кнопку аварийного останова и снимите боковые дверцы с помощью отвертки.

Почистите пылесосом все внутренние части и механические узлы машины.

Установите на место боковые дверцы.

8.3 Полугодичное, выполняется аккредитованным специалистом.

Установите верхнюю часть в нижнее положение.

Нажмите на кнопку аварийного останова и снимите правую боковую дверцу с помощью отвертки.

Проверьте уровень масла. (Уровень должен находиться в 4–5 см от верхнего края алюминиевой скобы).

ПРИМЕЧАНИЕ. Ниже приведен неполный список совместимых гидравлических масел:

CONDAT	HYDROLUB S46
ELF	HYDRELF DS46
CASTROL	AYSPIN AWS46
TOTAL	AZOLLA ZS32

Проверьте внесение аккредитованным специалистом записи о выполненной работе в журнал технического обслуживания для сохранения 5-летней гарантии.



9 РАСХОДНЫЕ МАТЕРИАЛЫ

При заказе запасной части проверьте вместе с аккредитованным специалистом, о какой детали идет речь, по каталогу запасных частей, выпускаемому производителем. Всегда уточняйте номер машины, указанный на заводском щитке. Заказ в компании JAC может разместить ваш аккредитованный специалист.

9.1 Список РАСХОДНЫХ МАТЕРИАЛОВ

ITEM CODE	NEW DESCRIPTION	MODEL
F1500009	LID SEAL	DIV-R
F1500004	LID SPRING	ALL
F1512014	GRID SPRING	ALL
10040012	WEAR PLATE	ALL
HUILEHYDROS46	HYDRAULIC OIL	ALL
F140000311	DOUBLE EXCENTRIC	ALL

10 НЕПОЛАДКИ В РАБОТЕ

ВНИМАНИЕ! Перед выполнением любых ремонтных работ машина должна быть отключена от электроснабжения.

Проблема	Проверка
Машина не запускается	Проверить общее питание и питание двигателя. Проверить срабатывание термореле.
Гидравлическая установка работает, но верхняя часть не поднимается.	Поменять местами 2 фазы на разъеме машины.
У машины недостаточная мощность.	Проверьте уровень масла; уровень должен находиться в 4-5 см от верхнего края.
Верхняя часть поднимается, но ножи не выходят.	Обратиться к своему техническому специалисту.
Наличие масла на полу.	Обратиться к своему техническому специалисту.
ОПЦИЯ FULLMATIC: Зеленый индикатор быстро мигает	Включите аварийный останов



Если проблема не устраняется, обратитесь к вашему техническому специалисту.

11 СПИСОК КОМПЛЕКТУЮЩИХ НА ИЗОБРАЖЕНИЯХ

Изображение	Номер	Название
1	1	Крышка для прессовки
	2	Уплотнение крышки (DIV-R 16r, DIV-R 20r, DIV-R 20c)
	3	Кювета
	4	Прижимные пластины
	5	Отвод муки (DIV-R 16r, DIV-R 20r, DIV-R 20c)
	6	Скоба для защиты/транспортировки (DIV-R 16r, DIV-R 20r, DIV-R 20c)
	7	Заблокированные колесики
	8	Ручка закрытия крышки для прессовки
	9	Замок крышки для прессовки
	10	Рукоятка дверцы
	11	Дверца регулировки давления (DIV-R 16r, DIV-R 20r, DIV-R 20c)
2	12	Ножи
3	13	Подъем ножей
	14	Аварийный останов
	15	Переключатель ножей 10/20 (при опции 10/20)
	16	Подъем или опускание прижимных пластин
4	15	Переключатель ножей 10/20 (при опции 10/20)
	22	Регулировка времени максимального давления
	23	Индикатор и пуск автоматического цикла
	24	Переключатель «половина кюветы / полная кювета»
5	17	Рабочая зона
6	18	Бак для сбора муки (DIV-R 16r, DIV-R 20r, DIV-R 20c)
	19	Регулировка давления (DIV-R 16r, DIV-R 20r, DIV-R 20c)
7	25	Зона наполнения Easyflour
	26	Регулировочный указатель расхода муки
11	20	Пиктограмма, предупреждающая об опасности поражения электрическим током
	21	Электросхема

1	ANTES DE LA PUESTA EN SERVICIO.....	56
2	GARANTÍA	56
3	ADVERTENCIAS.....	57
4	CARACTERÍSTICAS TÉCNICAS.....	58
4.1	Características técnicas.....	58
4.2	Detalle de materiales en contacto directo con la masa.....	58
5	INSTALACIÓN Y PUESTA EN SERVICIO.....	58
5.1	Desembalaje de la máquina:.....	58
5.2	Ubicación:	59
5.3	Conexión eléctrica:.....	59
5.4	Puesta en servicio:.....	59
5.5	Peligro:	60
6	CUADRO DE CONTROL Y DE SEGURIDAD.....	60
6.1	Cuadro de control:.....	60
6.2	Área de trabajo:	60
7	USO.....	60
8	LIMPIEZA.....	62
8.1	Diaria por un usuario formado.....	62
8.2	Semanal por un usuario formado.....	62
8.3	Semestral por un agente autorizado.....	62
9	CONSUMIBLES.....	63
9.1	Lista de CONSUMIBLES.....	63
10	INCIDENTES DE FUNCIONAMIENTO	63
11	LISTA DE COMPONENTES DE LAS FIGURAS.....	64

1 ANTES DE LA PUESTA EN SERVICIO

Gracias por elegir una solución JAC. Lea con atención este manual de uso antes de instalar y poner en servicio esta máquina. De esta forma, usted puede protegerse y evitar el deterioro de su máquina.

Este manual hace referencia a distintas figuras con el fin de facilitar la comprensión de las instrucciones. Estas figuras se encuentran al final del manual. Consúltelas cuando vea los siguientes símbolos: fig.X, n°Y.

Para que el funcionamiento de su máquina sea satisfactorio a lo largo de los próximos años, le invitamos a que lea los siguientes consejos:

- Solicite ayuda a su agente autorizado para la instalación, la puesta en servicio y el seguimiento.
- Para poder beneficiarse de la garantía de 5 años (consulte las condiciones recogidas a continuación), solicite a su distribuidor que complete la tarjeta de mantenimiento al instalar su máquina. Esta tarjeta de mantenimiento se encuentra en la parte trasera de su máquina.

2 GARANTÍA



JAC ofrece una garantía de 5 años en todos sus productos.

Esta garantía es válida para todas las piezas de su máquina, incluidas las electrónicas, excluyendo los consumibles. La garantía entra en vigor a partir de la fecha de instalación del material.

Con las siguientes condiciones restrictivas:

- El material debe haberse adquirido a un revendedor autorizado.
- La instalación deberá efectuarla un agente autorizado.
- El material debe utilizarse conforme a las indicaciones del manual de uso y para la finalidad para la que ha sido fabricado.
- El mantenimiento diario del material debe efectuarse conforme a las indicaciones del manual de uso.
- El agente autorizado debe hacer un seguimiento del mantenimiento conforme a las especificaciones de mantenimiento, como mínimo, una vez al año (mantenimiento a cargo del usuario).
- Deben utilizarse exclusivamente piezas originales JAC.



Si un agente autorizado no efectúa el seguimiento del mantenimiento y/o la tarjeta de mantenimiento no está cumplimentada correctamente, la garantía se limita a un año.

Esta garantía no cubre:

- La sustitución de consumibles (§9).
- Las piezas que nuestros servicios no reconozcan como defectuosas.
- Los problemas derivados de un uso anormal del material.
- Los problemas derivados de una instalación no efectuada por un agente autorizado.

- Las piezas o los problemas causados por daños en el transporte o por un mantenimiento inadecuado.

Una reparación y/o una sustitución de piezas defectuosas efectuadas durante el periodo de garantía no supondrá la prolongación de dicha garantía.

3 ADVERTENCIAS

Es muy importante conservar este manual de uso junto con el aparato para futuras consultas. Si este aparato se vende o se transfiere a otra persona, asegúrese de que se le entrega también el manual de uso para que el usuario pueda estar informado de su funcionamiento y de las advertencias que se recogen aquí.



Estas advertencias se dan por su seguridad y la de los demás. Le rogamos que las lea con atención antes de instalar y utilizar el aparato.

Esta máquina está diseñada para su uso por adultos autorizados. Asegúrese de que los niños no la toquen o que no la usen como un juguete.

Esta máquina está destinada únicamente a un uso profesional.

Es peligroso modificar o intentar modificar las características de esta máquina.

Después de instalar la máquina, asegúrese de que no aplasta el cable de alimentación.

Siga las instrucciones de uso.

Esta máquina debe almacenarse y utilizarse dentro de un local, protegida de la humedad y del calor.

Esta máquina debe estar suficientemente iluminada para efectuar el trabajo.

Esta máquina tiene un nivel sonoro inferior a 70 dB(A) según la norma EN ISO 3744.

Esta máquina debe utilizarla una sola persona a la vez (salvo indicación contraria).



Desconecte siempre la toma de corriente antes de proceder a la limpieza interior y exterior del aparato y a las operaciones de mantenimiento.

Este aparato es pesado. Tome todas las precauciones de seguridad durante su mantenimiento.

4 CARACTERÍSTICAS TÉCNICAS

4.1 Características técnicas

	DIV	DIV-R
Altura con la tapa abierta (mm)		1761
Anchura (mm)		600
Profundidad (mm)		810
Embalaje (mm)	790 x 880 x 1310	
Peso neto (k)	260	265
Peso neto + embalaje (k)	280	285
Potencia del motor (kW)	1,5	
Tipo de motor	Trifásico	
220 v - 50 Hz (A)	8	
380 v - 50 Hz (A)	4,5	
Cadencia (piezas/hora)	900	

	D16 redonda	D20 redonda	D20 cuadrada
Peso de los pastones mín. / máx. (g)	125/1125	100/900	150/950 300/1900 con la opción 10/20
Capacidad de la cuba (k)	18	18	19

Para un funcionamiento perfecto, la tasa de hidratación debe de ser del 55 % como mínimo.

4.2 Detalle de materiales en contacto directo con la masa.

Cuba cuadrada: INOX304

Cuba redonda: Fundido FGL200

Llanas de la cuba cuadrada: Aluminio con revestimiento GHA

Llanas de la cuba redonda: Fundido con revestimiento de teflón

Cuchillas: INOX 304

Tapa: Aluminio AISi 10 Mg

5 INSTALACIÓN Y PUESTA EN SERVICIO

5.1 Desembalaje de la máquina:

Las máquinas que salen de nuestros talleres se entregan en palés atados y protegidos con cartón. Antes de realizar cualquier acción, debe observarse el embalaje e informar al transportista de cualquier daño debido al transporte.

- Quite el cartón.
- Quite las carcasas laterales de la máquina para tener acceso a los tornillos que sujetan la máquina en el palé.
- Separe la máquina del palé desatornillando los 4 tornillos que bloquean la máquina (fig.12).
- Baje la máquina del palé. Haga esta operación entre dos personas como mínimo para amortiguar al máximo el contacto con el suelo.

E. OPCIÓN EASYFLOUR: Llene la harinadora Easyflour (fig.7) de harina.

Después de desembalar su máquina, compruebe que no ha sufrido daños durante el transporte. Infórmenos de cualquier anomalía.

5.2 Ubicación:

Para obtener un rendimiento excelente y una fiabilidad a largo plazo, elija una ubicación que esté:

Bien ventilada, protegida de los rayos directos del sol y alejada de fuentes de calor, con una superficie plana y robusta y sin vibraciones.

5.3 Conexión eléctrica:

IMPORTANTE: La toma de tierra es obligatoria.

Es aconsejable proteger la instalación con un fusible y un disyuntor diferencial.

La instalación eléctrica que suministra energía a la máquina debe estar protegida tal y como se indica a continuación:

- América del Norte: Protección 15 A.

- Resto del mundo: Protección 16 A.

Las máquinas equipadas con un variador deben estar conectadas obligatoriamente a una caja de derivación en una línea equipada con un diferencial de 300 mA.

Nota: La garantía no cubrirá cualquier problema ocasionado por una conexión de otro tipo.

Antes de conectar su máquina a la red y con el fin de evitar una avería del motor al encenderla, es importante comprobar la adecuación de la red de alimentación a las características de la máquina (consulte la placa informativa de la máquina).

Este aparato cumple con las directivas sobre máquinas 2006/42, 2014/35 y 2014/30 y lleva el marcado CE que lo certifica.

Consulte los pictogramas de seguridad que figuran en la máquina:



Pictograma que indica un riesgo de electrocución. Desconecte la máquina antes de cualquier intervención en esta. Lo encontrará dentro de la máquina, en la caja eléctrica (fig.11, n°20).

Encontrará el esquema eléctrico de la máquina dentro de la puerta izquierda de la divisora (fig.11, n°21).

5.4 Puesta en servicio:

Antes de la puesta en servicio, asegúrese de que no queda ningún objeto sobrante en las partes en movimiento de la máquina.

En primer lugar, y después de comprobar que la toma de corriente se ajusta a las características eléctricas de la máquina, asegúrese de que el motor gira en el sentido correcto. Para ello, es necesario que el cabezal suba cuando tira de la palanca de control hacia usted. En caso contrario, desconecte la toma de corriente e inviértala 2 fases.

OPCIÓN FULLMATIC: Cuando encienda la máquina y el botón verde parpadee (fig.4, n.º23), presione debajo del botón para iniciar la máquina. Si el cabezal no sube durante este paso y el indicador parpadea rápidamente, desenchufe la máquina e invierta 2 fases.

Para utilizar la máquina, consulte el apartado «Uso».

5.5 Peligro:

En caso de peligro para el usuario o para la máquina, debe utilizar el interruptor general para cortar la alimentación de la máquina.

Quite el enchufe de la toma de corriente antes de efectuar cualquier operación de mantenimiento y de limpieza.

Cualquier operación de mantenimiento o de sustitución de piezas debe efectuarla un agente autorizado.

6 CUADRO DE CONTROL Y DE SEGURIDAD

6.1 Cuadro de control:

Su máquina está equipada de serie con un pupitre de control mecánico (fig.3)

OPCIÓN FULLMATIC: Su máquina está equipada con un pupitre de control mecánico (fig.4).

6.2 Área de trabajo:

La zona de ajuste de la presión y de recuperación de harina se sitúa en la parte delantera de la máquina (únicamente DIV-R) (fig.5, n.º19)

OPCIÓN FULLMATIC: la zona de ajuste del tiempo de presión y el selector media cuba / cuba completa está situado en la parte delantera de la máquina (fig.4, n.º22, 24).

El área de trabajo está situada en la parte delantera de la máquina (fig.5, n.º17).

7 USO

Al principio del día, en una DIV 16r, DIV20r, DIV-R 16r o una DIV-R 20r, ponga aceite en el interior de la cuba redonda con un paño suave empapado en aceite

Procedimiento de uso (fig.8, 9)

A. Gire 1/4 de vuelta hacia la derecha el botón de parada de emergencia (fig.3, n.º14) si no está accionado.

B. Abra la tapa (fig.1, n.º1).

C. Si es necesario, harine ligeramente la parte superior de las llanas (fig.1, n.º4) en la cuba (fig.1, n.º3).

OPCIÓN EASYFLOUR: Harine ligeramente la parte superior del cabezal en la cuba con ayuda de Easyflour.

D. Vierta la masa en la cuba (fig.1, n.º3) y repártala someramente con la mano.

OPCIÓN EASYFLOUR: Harine ligeramente la parte superior de la masa con ayuda de Easyflour.

E. Cierre la tapa (fig.1, n.º1) con el asa (fig.1, n.º8).



- F. Con la opción 10/20 (opción DIV 20 cuadrada, DIV-R 20 cuadrada), puede elegir cortar en 10 o en 20 divisiones gracias al selector situado en la parte frontal (fig.3, n°15).
- G. Ajuste la presión de amontonamiento (opción DIV-R 16 redonda, DIV-R 20 redonda, DIV-R 20 cuadrada) con el asa de ajuste de presión situada en la parte frontal (fig.6, n°19).
- H. Tire de la palanca (fig.3, n°16) de mando para que suba el cabezal y dividir la masa.
- I. Pulse brevemente la palanca (fig.3, n°16) para descomprimir y así poder abrir la tapa.
- J. Abra la tapa (fig.1, n°1).
- K. Tire de la palanca para que suba el cabezal y recoger los pastones (fig.3, n°16).

El botón de detención de emergencia permite detener un ciclo en curso (fig.3, n°14).

OPCIÓN FULLMATIC: Procedimiento de uso (fig.10)

- A. Gire 1/4 de vuelta hacia la derecha el botón de parada de emergencia (fig.3, n°14) si no está accionado.
- B. Pulse el botón verde si parpadea para iniciar la máquina.
- C. Abra la tapa (fig.1, n°1).
- D. Seleccione la posición del cabezal (media cuba o cuba completa) con el selector frontal.
- E. C. Si es necesario, harine ligeramente la parte superior de las llanas (fig.1, n°4) en la cuba (fig.1, n°3).

OPCIÓN EASYFLOUR: Harine ligeramente la parte superior del cabezal en la cuba con ayuda de Easyflour.

- F. Vierta la masa en la cuba y repártala someramente con la mano.

OPCIÓN EASYFLOUR: Harine ligeramente la parte superior de la masa con ayuda de Easyflour.

- G. Puede ajustar la presión de amontonamiento gracias al asa de ajuste de presión situada en la parte frontal, así como el tiempo de amontonamiento gracias al botón frontal.
Con la opción 10/20, puede elegir cortar en 10 o en 20 divisiones gracias al selector situado en la parte frontal.
- H. Cierre la tapa para que suba el cabezal y dividir la masa.
- I. Cuando se vuelva a encender el indicador, abra la tapa y recoja los pastones.

El botón de detención de emergencia permite detener un ciclo en curso (fig.3, n°14).

OPCIÓN EASYFLOUR: Procedimiento de llenado de la harinadora Easyflour (fig.7)

- A. Abra la tapa de la harinadora.
 - B. Vierta la harina en la zona de llenado de la harinadora (fig.7, n°25).
 - C. Cierre la tapa de la harinadora.
- Ajuste el flujo de la harinadora con el cursor (fig.7, n°26).

8.1 Diaria por un usuario formado.

Sítue el cabezal y las cuchillas en posición baja y limpie la cuba.
Limpie la tapa.
Pulse el botón de subida de las cuchillas tirando de la palanca para que suban las cuchillas.
Limpie las cuchillas.
Tire de la palanca para que suba el cabezal y aspire los residuos de masa y de harina.

OPCIÓN FULLMATIC:

Sítue el cabezal y las cuchillas en posición baja y limpie la cuba.
Limpie la tapa.
Pulse el botón de subida de las cuchillas para que suban.
Limpie las cuchillas.
Pulse el botón verde para que suba el cabezal y aspire los residuos de masa y de harina.

8.2 Semanal por un usuario formado.

Lave todo el chasis con un paño húmedo.
Vacíe la bandeja de recuperación de harina (únicamente DIV-R) (fig.6, n°18).
Con el cabezal en posición baja, pulse el botón de subida de las cuchillas tirando de la palanca para que suban las cuchillas.
Accione el botón de detención de emergencia y quite las puertas laterales con un destornillador.
Aspire todas las partes interiores de la máquina y las partes mecánicas.
Vuelva a colocar las puertas laterales.

OPCIÓN FULLMATIC:

Lave toda la carrocería con un paño húmedo.
Vacíe la bandeja de recuperación de harina (únicamente DIV-R) (fig.6, n.º18).
Con el cabezal en posición baja, pulse el botón de subida de las cuchillas para que suban las cuchillas.
Accione el botón de detención de emergencia y quite las puertas laterales con un destornillador.
Aspire todas las partes interiores de la máquina y las partes mecánicas.
Vuelva a colocar las puertas laterales.

8.3 Semestral por un agente autorizado.

Coloque el cabezal en posición baja.
Accione el botón de detención de emergencia y quite la puerta lateral derecha con un destornillador.
Compruebe el nivel de aceite. (El nivel debe situarse a entre 4 y 5 cm del borde superior de la brida de aluminio).
NOTA: A continuación, encontrará una lista no exhaustiva de los aceites hidráulicos compatibles:

CONDAT	HYDROLUB S46
ELF	HYDRELF DS46
CASTROL	AYSPIN AWS46
TOTAL	AZOLLA ZS32

Compruebe que su agente autorizado registre su intervención en su tarjeta de mantenimiento para conservar su garantía de 5 años.

9 CONSUMIBLES

Al pedir una pieza de recambio, compruebe con su agente autorizado de qué pieza se trata con base en el catálogo de piezas de recambio del fabricante.

Indique siempre el número de máquina tal y como se indica en la placa informativa.

Su agente efectuará el pedido a JAC.

9.1 Lista de CONSUMIBLES

REFERENCIA	NUEVA ETIQUETA	MODELO
F1500009	JUNTA DE TAPA	DIV-R
F1500004	MUELLE DE TAPA	TODAS
F1512014	MUELLE DE REJILLA	TODAS
10040012	PLACA DE DESGASTE	TODAS
HUILEHYDROS46	ACEITE HIDRÁULICO	TODAS
F140000311	EXCÉNTRICO DOBLE	TODAS

10 INCIDENTES DE FUNCIONAMIENTO

Problema	Comprobación
La máquina no se pone en funcionamiento	Compruebe la alimentación general y del motor. Compruebe si se ha activado el relé térmico.
La central hidráulica empieza a funcionar, pero el cabezal no sube	Invierta 2 fases en la toma de la máquina.
A la máquina le falta potencia	Compruebe el nivel de aceite, el nivel debe situarse a entre 4 y 5 cm del borde superior.
El cabezal sube, pero las cuchillas no salen	Contacte con su técnico.
Hay aceite en el suelo	Contacte con su técnico.
OPCIÓN FULLMATIC: El indicador verde parpadea rápidamente	Accione el botón de detención de emergencia

ATENCIÓN: Para cualquier intervención, la máquina deberá estar desenchufada obligatoriamente.



Si el problema persiste, póngase en contacto con su técnico.

11 LISTA DE COMPONENTES DE LAS FIGURAS

Figura	Número	Nombre
1	1	Tapa de amontonamiento
	2	Junta de tapa (DIV-R 16r –DIV-R 20r – DIV-R 20c)
	3	Cuba
	4	Llanas
	5	Evacuación de harina (DIV-R 16r - DIV-R 20r - DIV-R 20c)
	6	Asa de protección (DIV-R 16r DIV-R 20r DIV-R 20c)
	7	Ruedas con freno
	8	Asa de cierre de la tapa de amontonamiento
	9	Cierre de la tapa de amontonamiento
	10	Asa de puerta
	11	Trampa de ajuste de presión (DIV-R 16r – DIV-R 20r – DIV-R 20c)
2	12	Cuchillas
3	13	Subida de las cuchillas
	14	Detención de emergencia
	15	Selección 10/20 cuchillas (con la opción 10/20)
	16	Subida o bajada de las llanas
4	15	Selección 10/20 cuchillas (con la opción 10/20)
	22	Ajuste del tiempo de presión máxima
	23	Indicador de puesta en marcha del ciclo automático
	24	Selector media cuba – cuba completa
5	17	Área de trabajo
6	18	Bandeja de recuperación de harina (DIV-R 16r – DIV-R 20r – DIV-R 20c)
	19	Ajuste de la presión (DIV-R 16r – DIV-R 20r – DIV-R 20c)
7	25	Zona de llenado de Easyflour
	26	Cursor de ajuste del caudal de harina
11	20	Pictograma que indica un riesgo de electrocución
	21	Esquema eléctrico

1	PRIMA DELLA MESSA IN FUNZIONE	66
2	GARANZIA	66
3	AVVERTENZE	67
4	CARATTERISTICHE TECNICHE	68
4.1	Caratteristiche tecniche	68
4.2	Dettaglio materiali in contatto con la pasta.	68
5	INSTALLAZIONE E MESSA IN FUNZIONE	68
5.1	Disimballo della macchina:.....	68
5.2	Posizionamento:	69
5.3	Collegamento elettrico:.....	69
5.4	Messa in servizio:	69
5.5	Pericolo:	70
6	ORGANO DI COMANDO E DI SICUREZZA	70
6.1	Organo di comando:.....	70
6.2	Zona di lavoro:	70
7	UTILIZZO	70
8	MANUTENZIONE	72
8.1	Quotidiana da parte di un utilizzatore addestrato.	72
8.2	Settimanale da parte di un utilizzatore addestrato.	72
8.3	Semestrale da parte di un tecnico addestrato.	72
9	COMPONENTI DI CONSUMO	73
9.1	Elenco dei COMPONENTI DI CONSUMO	73
10	INCIDENTI DI FUNZIONAMENTO	73
11	ELENCO DEI COMPONENTI INDICATI NELLE FIGURE	74

1 PRIMA DELLA MESSA IN FUNZIONE

Grazie per aver scelto una soluzione JAC. Si invita a leggere con attenzione queste note informative prima di procedere all'installazione e alla messa in servizio di questa macchina. Contengono informazioni su come proteggersi e come evitare il deterioramento della macchina.

Queste informazioni fanno riferimento a diverse figure, in modo da facilitare la comprensione delle istruzioni. Le figure si trovano al fondo delle informazioni. Si invita a farvi riferimento quando si incontrano i seguenti simboli (fig. X, n. Y).

Per una totale soddisfazione dall'utilizzo della macchina nei prossimi anni, si invita a tenere presenti i seguenti consigli:

- Farsi aiutare dal tecnico autorizzato per l'installazione, la messa in servizio e il follow-up.
- Per beneficiare della garanzia di 5 anni (vedere le condizioni riportate in seguito), far compilare dal distributore, il libretto di manutenzione al momento dell'installazione della macchina. Il libretto di manutenzione si trova nella parte posteriore della macchina.

2 GARANZIA



JAC offre una garanzia di 5 anni su tutti i suoi prodotti.

Questa garanzia è valida su tutte le parti della macchina, comprese quelle elettroniche, a parte i componenti di consumo. La garanzia entra in vigore a partire dalla data di installazione del materiale.

Secondo le seguenti condizioni restrittive:

- Materiale acquistato presso un rivenditore autorizzato.
- Installazione effettuata da un tecnico autorizzato.
- Utilizzo del materiale conformemente alle indicazioni sul modo di utilizzo e nel rispetto della finalità per la quale è stato fabbricato.
- Materiale quotidianamente mantenuto nel rispetto delle indicazioni delle modalità di utilizzo.
- Manutenzioni successive da parte del tecnico autorizzato conformemente alle specifiche di manutenzione con, al minimo, una manutenzione l'anno (manutenzione a carico dell'utente).
- L'utilizzo esclusivo di parti originali JAC.



Se non si eseguono interventi di manutenzione da parte di un tecnico autorizzato e/o il libretto di manutenzione non è correttamente completato, la garanzia si limita ad un anno.

Questa garanzia non copre:

- La sostituzione dei componenti di consumo (§9).
- Le parti non riconosciute difettose dai nostri servizi.
- I problemi derivanti da un utilizzo anomalo del materiale.
- I problemi derivanti da un'installazione non effettuata da un tecnico autorizzato.

- Le parti o i problemi derivanti da un danno di trasporto o da una manutenzione inadeguata.

Una riparazione e/o una sostituzione di parti difettose effettuate durante il periodo di garanzia non producono l'effetto di prolungare detta garanzia.

3 AVVERTENZE

È molto importante che le istruzioni per l'utilizzo siano conservate con l'apparecchio per ogni consultazione futura. Se questo macchinario deve essere venduto o trasferito ad un'altra persona, accertarsi che le istruzioni per l'utilizzo siano consegnate all'utente destinatario in modo che possa essere informato sul funzionamento e sui messaggi di avvertenza ad esso riferiti.



Tali avvertenze sono fornite per la vostra sicurezza e per quella altrui. Si prega di leggerle con attenzione prima di installare e utilizzare il macchinario.

Questa macchina è stata progettata per essere utilizzata da adulti autorizzati. Accertarsi quindi che i bambini non le si avvicinino e che non la utilizzino come un giocattolo.

Questa macchina è destinata unicamente ad un uso professionale.

È pericoloso modificare o provare a modificare le caratteristiche di questa macchina.

Accertarsi dopo averla installata, che non appoggi sul cavo di alimentazione.

Seguire le istruzioni fornite per l'utilizzo.

Questa macchina deve essere sistemata e utilizzata all'interno di un locale, al riparo da umidità e calore.

Deve essere illuminata a sufficienza per poter funzionare.

La macchina produce un livello di rumore inferiore a 70 dB(A), conforme alla norma EN ISO 3744.

La macchina deve essere utilizzata da una sola persona per volta (salvo prescrizioni contrarie).



Staccare sempre il cavo di alimentazione prima di procedere alla pulizia interna/esterna del macchinario e alle operazioni di manutenzione.

Questo macchinario è pesante. Adottare tutte le precauzioni di sicurezza al momento della manutenzione.

4 CARATTERISTICHE TECNICHE

4.1 Caratteristiche tecniche

	DIV	DIV-R
Altezza coperchio aperto (mm)		1761
Larghezza (mm)		600
Profondità (mm)		810
Imballaggio (mm)	790x880x1310	
Peso netto (kg)	260	265
Peso NETTO + imballaggio (kg)	280	285
Potenza motore (kW)	1.5	
Tipo di motore	Trifase	
220v - 50Hz (A)	8	
380v - 50Hz (A)	4.5	
Ritmo (pezzi/ora)	900	

	D16 arrotondato	D20 arrotondato	D20 quadrato
Peso delle forme mini / maxi (gr)	125/1125	100/900	150/950 300/1900 se opzione 10/20
Capacità della vasca (kg)	18	18	19

Per un funzionamento perfetto, il tasso di idratazione deve essere almeno del 55%.

4.2 Dettaglio materiali in contatto con la pasta.

Vasca quadrata: INOX304

Vasca rotonda: Ghisa FGL200

Livellatrici vasca quadrata: Alluminio rivestito GHA

Livellatrici vasca rotonda: Ghisa rivestita teflon

Coltelli: Inox 304

Coperchio: Alluminio AISI10Mg

5 INSTALLAZIONE E MESSA IN FUNZIONE

5.1 Disimballo della macchina:

Le macchine sono consegnate, franco fabbrica, su pallet, legate con cinghie e protette con pannelli di cartone. Prima di tutto, occorre esaminare l'imballaggio e ogni danno dovuto al trasporto deve essere dichiarato direttamente all'addetto alla consegna.

- Togliere il cartone.
- Togliere le protezioni laterali della macchina per guadagnare accesso alle viti che mantengono la macchina sul pallet.
- Staccare la macchina dal pallet svitando le 4 viti che la bloccano (fig. 9).
- Far scendere la macchina dal pallet. Accertarsi di essere almeno in due per questa operazione per ammortizzare al meglio il contatto con il terreno.
- OPZIONE EASYFLOUR: Riempire l'infarinatore Easyflour (fig.7) con la farina



Dopo il disimballo della macchina, verificare che non abbia subito danni durante il trasporto. Segnalare ogni anomalia.

5.2 Posizionamento:

Per ottenere performance eccellenti e affidabilità a lungo termine, scegliere una posizione:

Ben ventilata, al riparo dai raggi solari diretti e lontano da fonti di calore, con una superficie piana, robusta e priva di vibrazioni.

5.3 Collegamento elettrico:

IMPORTANTE: Messa a terra obbligatoria.

Si consiglia di proteggere l'impianto con un fusibile e un salvavita.

L'impianto elettrico che alimenta la macchina deve essere protetto secondo quanto indicato qui di seguito:

- Nord America: Protezione 15 A;
- Resto del mondo: Protezione 16 A.

Le macchine dotate di variatore, devono necessariamente essere collegate ad una scatola di derivazione su di una linea dotata di salvavita da 300 mA.

Nota: Ogni problema derivante da un altro tipo di collegamento non sarà preso in considerazione ai fini della garanzia.

Prima di collegare la macchina alla rete e onde evitare una dismissione del motore all'avvio, è importante verificare la compatibilità della rete di alimentazione con le caratteristiche della macchina (vedere la relativa targa segnaletica).

Questo apparecchio è conforme alle Direttive Macchine 2006/42, 2014/35, 2014/30 e reca la marcatura CE che attesta detta conformità.

Si invita a prendere visione della segnaletica di sicurezza che figura sulla macchina:



Segnale che indica un rischio di folgorazione. Scollegare la macchina prima di eseguire qualsiasi intervento. Si trova all'interno della macchina sul quadro elettrico (fig. 11, n. 20).

All'interno dello sportello sinistro della spezzatrice si trova lo schema elettrico della macchina (fig.11, n. 21).

5.4 Messa in servizio:

Prima della messa in servizio, accertarsi che non vi siano oggetti estranei sulle parti in movimento della macchina.

Accertarsi innanzitutto (dopo aver verificato le connessioni elettriche) che il motore giri nella direzione giusta, ovvero che la testa salga quando si tira a sé la leva di comando. Se non è questo il caso, staccare la presa e invertire 2 fasi al suo interno.

OPZIONE FULLMATIC: Al momento dell'alimentazione, il pulsante verde lampeggia (fig. 4, n. 23), premerlo per avviare l'inizializzazione. Se la testa non sale in questa fase e l'indicatore lampeggia rapidamente, staccare la presa e invertire le 2 fasi.

Per l'utilizzo della macchina, fare riferimento al capitolo "Utilizzo".

5.5 Pericolo:

In caso di pericolo per l'utente o per la macchina, utilizzare l'interruttore generale per interrompere l'alimentazione della macchina.

Estrarre la scheda della presa elettrica prima di ogni operazione di manutenzione o di assistenza.

Ogni operazione di manutenzione o sostituzione delle parti deve essere effettuata da un tecnico autorizzato.

6 ORGANNO DI COMANDO E DI SICUREZZA

6.1 Organo di comando:

La macchina è dotata di serie di un quadro di comando meccanico (fig. 3).

OPZIONE FULLMATIC: La macchina è dotata di un quadro di comando meccanico (fig. 4).

6.2 Zona di lavoro:

La zona di regolazione della pressione e di recupero della farina si trova nella parte anteriore della macchina (solo DIV-R) (fig.5, n. 19).

OPTION FULLMATIC: la zona di regolazione del tempo di pressione e il selettore mezza vasca/vasca piena si trova nella parte anteriore della macchina (fig. 4, n. 22, 24)

La zona di lavoro si trova nella parte anteriore alla macchina (fig. 5, n. 17).

7 UTILIZZO

All'inizio della giornata, per una DIV 16r, DIV20r, DIV-R 16r o una DIV-R 20r, oliare l'interno della vasca rotonda con un panno morbido imbevuto d'olio.

Procedura di utilizzo (fig. 8, 9)

A. Ruotare di 1/4 di giro verso destra il pulsante a fungo (arresto d'emergenza) (fig. 3, n. 14), se non è azionato.

B. Aprire il coperchio (fig. 1, n. 1).

C. Se occorre, infarinare leggermente la parte superiore delle livellatrici (fig. 1, n. 4) nella vasca (fig. 1, n. 3).

OPZIONE EASYFLOUR: Infarinare leggermente la parte superiore della testa nella vasca servendosi di Easyflour.

D. Versare l'impasto nella vasca (fig. 1, n. 3) e suddividerlo grossolanamente a mano.

OPZIONE EASYFLOUR: Infarinare leggermente la parte superiore della pasta servendosi di Easyflour.

E. Chiudere il coperchio (fig. 1, n. 1) con la maniglia (fig. 1, n. 8).

- F. Con l'opzione 10/20 (opzione DIV 20 quadrata, DIV-R 20 quadrata), è possibile scegliere di tagliare con 10 o 20 divisioni grazie al selettore frontale (fig. 3, n. 15).
- G. Regolare la pressione di compattazione (opzione DIV-R 16 rotonda, DIV-R 20 rotonda, DIV-R 20 quadrata) grazie alla leva di regolazione della pressione posta nella rate anteriore (fig. 6, n. 19).
- H. Tirare la leva (fig. 3, n. 16) di comando per far salire la testa e dividere l'impasto.
- I. Spingere brevemente la leva (fig. 3, n. 16) per decomprimere e aprire il coperchio.
- J. Aprire il coperchio (fig. 1, n. 1).
- K. Tirare la leva per far salire la testa e recuperare le forme (fig. 3, n. 16).

Il tasto di arresto d'emergenza consente di fermare un ciclo in corso (fig. 3, n. 14).

OPZIONE FULLMATIC: Procedura di utilizzo (fig. 10)

- A. Ruotare di 1/4 di giro verso destra il pulsante a fungo (arresto d'emergenza) (fig. 3, n. 14), se non è azionato.
- B. Premere sul pulsante verde se lampeggia per inizializzare la macchina.
- C. Aprire il coperchio (fig. 1, n. 1).
- D. Scegliere la posizione della testa (metà vasca o vasca intera) grazie al selettore anteriore.
- E. Se occorre, infarinare leggermente la parte superiore delle livellatrici (fig. 1, n. 4) nella vasca (fig. 1, n. 3).

OPZIONE EASYFLOUR: Infarinare leggermente la parte superiore della testa nella vasca servendosi di Easyflour.

- F. Versare l'impasto nella vasca e suddividerlo grossolanamente a mano.

OPZIONE EASYFLOUR: Infarinare leggermente la parte superiore della pasta servendosi di Easyflour.

- G. È possibile regolare la pressione di compattazione grazie alla manopola di regolazione della pressione situata nella parte anteriore e il tempo di compattazione grazie al pulsante anteriore. Con l'opzione 10/20 è possibile scegliere di tagliare con 10 o 20 divisioni grazie al selettore frontale.
- H. Chiudere il coperchio per far salire la testa e dividere l'impasto.
- I. Se l'indicatore si riaccende, aprire il coperchio e recuperare gli impasti.

Il tasto di arresto d'emergenza consente di fermare un ciclo in corso (fig. 3, n. 14).

OPZIONE EASYFLOUR: Procedura di riempimento dell'infarinatore Easyflour (fig. 7)

- A. Aprire il coperchio dell'infarinatore.
- B. Versare la farina nella zona di riempimento dell'infarinatore (fig. 7, n. 25).
- C. Chiudere il coperchio dell'infarinatore.

Regolare la portata dell'infarinatore grazie ad un cursore (fig. 7, n. 26).

8.1 Quotidiana da parte di un utilizzatore addestrato.

Posizionare la testa e i coltelli in basso e pulire la vasca.

Pulire il coperchio.

Premere il pulsante di risalita dei coltelli tirando la leva per far salire i coltelli.

Pulire i coltelli.

Tirare la leva per far salire la testa e aspirare i residui di impasto e di farina.

OPZIONE FULLMATIC:

Posizionare la testa e i coltelli in basso e pulire la vasca.

Pulire il coperchio.

Premere il pulsante di risalita dei coltelli per far salire i coltelli.

Pulire i coltelli.

Premere il pulsante verde per far salire la testa e aspirare i residui di impasto e di farina.

8.2 Settimanale da parte di un utilizzatore addestrato.

Lavare tutto l'involucro del macchinario con un panno umido.

Vuotare il cassetto di recupero della farina (solo DIV-R) (fig. 6, n. 18).

Testa in basso, premere il pulsante di risalita dei coltelli tirando la leva per farli salire.

Azionare l'arresto d'emergenza e rimuovere gli sportelli laterali servendosi di un cacciavite.

Aspirare tutte le parti interne della macchina e le parti meccaniche.

Rimontare gli sportelli laterali.

OPZIONE FULLMATIC:

Lavare tutto l'involucro del macchinario con un panno umido.

Vuotare il cassetto di recupero della farina (solo DIV-R) (fig. 6, n. 18).

Testa in basso, premere il pulsante di risalita dei coltelli per farli salire.

Azionare l'arresto d'emergenza e rimuovere gli sportelli laterali servendosi di un cacciavite.

Aspirare tutte le parti interne della macchina e le parti meccaniche.

Rimontare gli sportelli laterali.

8.3 Semestrale da parte di un tecnico addestrato.

Posizionare la testa in basso.

Azionare l'arresto d'emergenza e rimuovere lo sportello laterale destro servendosi di un cacciavite.

Controllare il livello dell'olio. (Il livello deve essere compreso tra 4 e 5 cm dal bordo superiore della flangia in alluminio).

NOTA: Qui di seguito riportiamo un elenco non esaustivo degli oli idraulici compatibili:

CONDAT	HYDROLUB S46
ELF	HYDRELF DS46
CASTROL	AYSPIIN AWS46
TOTALE	AZOLLA ZS32

Verificare attentamente che il tecnico autorizzato registri l'intervento sul libretto di manutenzione al fine di mantenere la garanzia di 5 anni.

9 COMPONENTI DI CONSUMO

Al momento dell'ordine di parti di ricambio, verificare con il tecnico autorizzato di quale parte si tratta in base al catalogo delle parti di ricambio emesso dal fabbricante.

Precisare sempre il codice della macchina indicato sulla targa segnaletica.

Il tecnico effettua gli ordini presso JAC.

9.1 Elenco dei COMPONENTI DI CONSUMO

RIFERIMENTO	NUOVA DESCRIZIONE	MODELLO
F1500009	GIUNTO DEL COPERCHIO	DIV-R
F1500004	MOLLA DEL COPERCHIO	TUTTE
F1512014	MOLLA DELLA GRIGLIA	TUTTE
10040012	PIASTRA DI USURA	TUTTE
HUILEHYDROS46	OLIO IDRAULICO	TUTTE
F140000311	ECCENTRICO DOPPIO	TUTTE

10 INCIDENTI DI FUNZIONAMENTO

ATTENZIONE: Per ogni intervento, la macchina deve obbligatoriamente essere scollegata dall'alimentazione.

Problema	Verifica
La macchina non si mette in moto	Verificare l'alimentazione generale e del motore. Verificare che il relè termico sia attivato.
La centrale idraulica si mette in marcia ma la testa non sale	Invertire 2 fasi sulla presa della macchina.
La macchina non ha potenza	Verificare il livello dell'olio, che deve essere tra 4 e 5 cm dal bordo superiore.
La testa sale ma i coltelli non escono	Contattare il proprio tecnico
Presenza di olio sul pavimento	Contattare il tecnico di fiducia
OPZIONE FULLMATIC: L'indicatore verde lampeggia rapidamente	Azionare l'arresto d'emergenza



Se il problema persiste, contattare il proprio tecnico.

11 ELENCO DEI COMPONENTI INDICATI NELLE FIGURE

Figura	Numero	Nome
1	1	Coperchio di compattazione
	2	Giunto del coperchio (DIV-R 16r –DIV-R 20r – DIV-R 20c)
	3	Vasca
	4	Livellatrici
	5	Scarico della farina (DIV-R 16r - DIV-R 20r - DIV-R 20c)
	6	Leva di protezione (DIV-R 16r DIV-R 20r DIV-R 20c)
	7	Rotelle frenanti
	8	Leva di chiusura del coperchio di compattazione
	9	Serratura del coperchio di compattazione
	10	Maniglia dello sportello
	11	Finestra di regolazione della pressione (DIV-R 16r – DIV-R 20r – DIV-R 20c)
2	12	Coltelli
3	13	Risalita dei coltelli
	14	Arresto d'emergenza
	15	Selezione 10/20 coltelli (opzione 10/20)
	16	Risalita o discesa delle livellatrici
4	15	Selezione 10/20 coltelli (opzione 10/20)
	22	Regolazione del tempo di pressione massima
	23	Segnalatore e avvio del ciclo auto
	24	Selettore mezza vasca - vasca piena
5	17	Zona di lavoro
6	18	Cassetto di recupero della farina (DIV-R 16r –DIV-R 20r – DIV-R 20c)
	19	Regolazione della pressione (DIV-R 16r – DIV-R 20r – DIV-R 20c)
7	25	Zona di riempimento di Easyflour
	26	Cursore di regolazione della portata di farina
11	20	Segnale che indica un rischio di folgorazione
	21	Schema elettrico

s

76	قبل التشغيل	1
76	الضمان	2
77	تنبيهات	3
78	المواصفات الفنية	4
78	المواصفات الفنية	4.1
78	تفاصيل الخامات الملامسة بشكل مباشر للعجين	4.2
78	التركيب والتشغيل	5
78	فك تغليف الآلة:	5.1
79	الموضع:	5.2
79	التوصيل الكهربى:	5.3
79	التشغيل:	5.4
79	خطر:	5.5
80	جهاز التحكم والأمان	6
80	جهاز التحكم:	6.1
80	منطقة عمل:	6.2
80	الاستخدام	7
82	الصيانة	8
82	يومية بواسطة مستخدم مُدرّب	8.1
82	أسبوعية بواسطة مستخدم مُدرّب	8.2
82	نصف سنوية بمعرفة وكيل معتمد	8.3
83	قطع المستهلكات	9
83	قائمة بالمستهلكات	9.1
83	الأحداث العارضة أثناء التشغيل	10
84	قائمة بالمكونات الموجودة في الأشكال	11

1 قبل التشغيل

نشكركم لاختياركم حلول JAC. تأكد من قراءة دليل الاستخدام هذا قبل تركيب وتشغيل هذه الآلة. يمكن أن تحمي نفسك وتجنب هكذا أن تتلف الآلة.

يشير هذا الدليل إلى أشكال مختلفة من أجل تسهيل فهم التعليمات. هذه الأشكال موجودة في نهاية الدليل. يُرجى الرجوع إليها ما إن ترى الرموز التالية (شكل كذا، ورقم كذا).

من أجل أن تكون راضياً تماماً عن أداء هذه الآلة خلال السنوات القادمة، ندعوك إلى الاطلاع على النصائح التالية:

- استعن بوكيل معتمد من أجل التركيب والتشغيل والمتابعة.

- من أجل الاستفادة من الضمان ومدته 5 سنوات (انظر الشروط المذكورة بعد)، قم بواسطة الموزع، باستكمال دفتر الصيانة أثناء تركيب الآلة. يوجد دفتر الصيانة خلف الآلة.

2 الضمان

تقدم شركة JAC ضماناً على كل منتجاتها مدته 5 سنوات.



يسري هذا الضمان على كل قطع المعدة، بما فيها القطع الإلكترونية، دون المستهلكات. يسري الضمان من تاريخ تركيب المعدة.

بحسب الشروط المقيدة التالية:

- تم شراء المعدة من موزع معتمد؛
- تم التركيب بمعرفة وكيل معتمد؛
- استخدام المعدة وفقاً لتعليمات دليل الاستخدام وفي الغرض الذي صُنعت من أجله؛
- يتم صيانة المعدة يومياً وفقاً لإرشادات دليل الاستخدام؛
- يتابع الصيانة الوكيل المعتمد وفقاً لشروط الصيانة، مع إجراء الصيانة مرة في العام، على الأقل (الصيانة على حساب المستخدم).
- الاستخدام الحصري لقطع الغيار الأصلية من JAC.

إذا لم توجد صيانة من وكيل معتمد و/أو أن دفتر الصيانة غير مكتمل بشكل صحيح، تقتصر فترة الضمان على عام واحدة.



علماً بأن الضمان لا يشمل:

- استبدال المستهلكات (فقرة 9)؛
- قطع الغيار التي لم يقر قسم الخدمة الفنية بأنها تالفة؛
- المشكلات الناجمة عن الاستخدام غير السليم للمعدة؛
- المشكلات الناجمة عن تركيب لم يتم بمعرفة وكيل معتمد؛
- قطع الغيار أو المشكلات الناجمة عن تلف أثناء النقل أو المناولة غير المناسبة.

ليس من شأن الإصلاح و/أو الاستبدال لقطع الغيار التالفة الذي يتم خلال مدة الضمان أن يمدد هذا الضمان.

من المهم جدًا حفظ دليل الاستخدام هذا مع الجهاز للاطلاع عليه في المستقبل. إذا كان سيتم بيع أو نقل هذا الجهاز إلى شخص آخر، فتأكد أن يتم إعطاء دليل الاستخدام هذا بحيث يستطيع المستخدم معرفة تشغيله والتنبيهات المتعلقة به.



- تم إعطاء هذه التنبيهات حرصًا على سلامتك وعلى سلامة الآخرين. الرجاء قراءتها بانتباه قبل تركيب واستخدام الجهاز.
- تم تصميم هذه الآلة لكي يستخدمها أشخاص بالغون مسموح لهم باستخدامها. يرجى ألا يلمسها الأطفال أو أن يستخدموها كلعبة.
- هذه الآلة مخصصة حصريًا للاستخدام المهني.
- من الخطر تعديل أو محاولة تعديل مواصفات هذه الآلة.
- بعد تركيب الآلة، تأكد أنها لا تستند إلى كابل كهرباء.
- اتبع التعليمات المعطاة من أجل الاستخدام.
- يجب تخزين واستخدام هذه الآلة داخل مكان بعيد عن الرطوبة والحرارة.
- يجب أن يكون هناك إضاءة كافية لهذه الآلة للقيام بالعمل.
- مستوى صوت هذه الآلة أقل من 70 ديسيبل وفقًا للمعيار EN ISO 3744.
- يجب أن يستخدم هذه الآلة شخص واحد في الوقت الواحد (ما لم يوجد تعليمات مخالفة).



افصل دائمًا التيار الكهربائي قبل القيام بالتنظيف الداخلي/الخارجي للجهاز وقبل عمليات الصيانة.

هذا الجهاز ثقيل الوزن. اتخذ كل احتياطات الأمان أثناء مناولته.

4 المواصفات الفنية

4.1 المواصفات الفنية

DIV-R	DIV	
	1761	ارتفاع الغطاء وهو مفتوح (مم)
	600	العرض (مم)
	810	العمق (مم)
	1310 × 880 × 790	الحجم (مم)
265	260	الوزن الصافي (كجم)
285	280	الوزن الصافي + عبوة التنظيف (كجم)
	1.5	قوة الموتور (كيلو واط)
	ثلاثي الأطوار (3 فازة)	نوع المحرك
	8	220 فولت - 50 هرتز (A)
	4.5	380 فولت - 50 هرتز (A)
	900	المعدل (قطعة/ساعة)

D20 مربعة	D20 مستديرة	D16 مستديرة	
950 / 150 1900 / 300 20 / 2010/10	900 / 100	/ 125 1125	وزن قطع العجين حد أدنى / حد أقصى (جم)
19	18	18	سعة الحوض الداخلي (كجم)

من أجل تشغيل مثالي، يجب أن تكون نسبة الرطوبة 55% على الأقل

4.2 تفاصيل الخامات الملامسة بشكل مباشر للعجين.

الحوض المربع: فولاذ مقاوم للصدأ 304
الحوض المستدير: حديد زهر FGL200
مجارف للحوض المربع: ألومنيوم مغلف بحسب طريقة (GHA golden hard anodizing)
مجارف للحوض المستدير: حديد زهر مغلف بالتافلون
السكاكين: فولاذ مقاوم للصدأ 304
الغطاء: ألومنيوم AISI10Mg

5 التركيب والتشغيل

5.1 فك تغليف الآلة:

تُباع الآلات، عند خروجها من ورشنا، على ألواح، ومربوطة بأشرطة ومحمية بورق الكرتون. قبل القيام بأي شيء، يجب فحص العبوة وإبلاغ شركة التوصيل مباشرة بأي تلف ناتج عن النقل.

A. اسحب الكرتونة.

B. اسحب الأحواض الجانبية للآلة من أجل الوصول إلى البراغي التي تُثبت الآلة على اللوح.

C. أفصل الآلة عن اللوح بأن تقوم بفك البراغي الـ 4 التي تُثبت الآلة (fig.9).

D. أنزل الآلة عن اللوح. يقوم شخصان على الأقل بهذا الأمر من أجل تخفيف التلامس مع الأرض بشكل أفضل

E. هـ. خيار EASYFLOUR: قم بملء منفذة الدقيق Easyfour بالدقيق (fig.7)



بعد إخراج الآلة من الكرتون، تحقق أنها لم تتعرض للتلف أثناء النقل. وأبلغنا بأي عطب.

5.2 الموضوع:

للحصول على أداء ممتاز وفعالية على المدى الطويل، اختر موضعاً:

جيد التهوية، وبعيداً عن أشعة الشمس المباشرة وبعيداً عن مصادر الحرارة مع سطح مستوٍ وقوي وخالي من الاهتزازات.

5.3 التوصيل الكهربى:

هام: توصيل الطرف الأرضي إلزامي.

يُنصح بحماية التمديدات الكهربائية بمنصهر وقاطع تيار تفاضلي.

يجب حماية التمديدات الكهربائية التي تُغذي الآلة كما هو مُبين أدناه:

- أمريكا الشمالية: حماية 15 أمبير؛

بقية دول العالم: حماية 16 أمبير.

بالنسبة للآلات المجهزة بـ مُغَيِّر كهربائي، يجب توصيله على غلبة التفرغ على خط مجهز بقاطع تيار تفاضلي 300 ملي أمبير.

ملحوظة: أي مشكلة ناجمة عن التوصيل بشكل آخر لن يشملها الضمان.

قبل توصيل الآلة على شبكة الكهرباء ومن أجل تجنب وقف تشغيل الموتور عند توصيله بالكهرباء، من المهم التحقق من توافق شبكة الكهرباء مع مواصفات الآلة (انظر لوحة البيانات لهذه الآلة).

يتوافق هذا الجهاز مع التعليمات الخاصة بالآلات 42/2006 و 35/2014 و 30/2014 ويحمل علامة CE التي تشهد بهذا التوافق.

يرجى الاطلاع على الصور التوضيحية المتعلقة بالأمان الموجودة على الآلة:

صورة توضيحية تُشير إلى خطر الصعق بالكهرباء. يُرجى فصل الماكينة قبل أي إصلاح لها. يمكنك أن تجده داخل الآلة على الصندوق الكهربى. (fig.11, n°20)



سوف تجد الرسم التخطيطي الكهربى للآلة داخل الباب الأيسر لقطاعة العجين. (fig.11, n°21)

5.4 التشغيل:

قبل التشغيل، تأكد من عدم وجود أي شيء دخيل على الأجزاء المتحركة للآلة.

تأكد أولاً بعد التحقق من التوافق الكهربى) أن الموتور يدور في الاتجاه السليم، وعلامة ذلك أن الرأس يصعد عندما تسحب ذراع التحكم ناحيتك. إذا لم يحدث هذا، فافصل القابس وقم بقلب 2 فإزة فيه.

خيار FULLMATIC: عند التوصيل بالكهرباء، يومض الزر الأخضر (fig.4, n°23)، اضغط عليه لبدء التهيئة. إذا لم يصعد الرأس خلال هذه المرحلة، ولمبة البيان تومض بسرعة فقم بفصل المقبس وأقلب 2 فإزة في المقبس.

لاستخدام الآلة، راجع فصل "الاستخدام".

5.5 خطر:

في حالة وجود خطر على المستخدم أو على الآلة، يجب عليك أن تستخدم مفتاح القطع العمومي لفصل التيار الكهربى عن الآلة.

اسحب القابس من المقبس الكهربائي قبل القيام بأي عملية صيانة أو فحص.
أي عملية صيانة أو استبدال قطعة غيار يجب أن تتم بواسطة وكيل معتمد.

6 جهاز التحكم والأمان

6.1 جهاز التحكم:

الآلة مجهزة بسلسلة من لوحة أزرار ميكانيكية (fig. 3)
خيار FULLMATIC: الآلة مجهزة على التوالي بلوحة أزرار ميكانيكية (fig.4)

6.2 منطقة عمل:

توجد منطقة ضبط الضغط واستعادة الدقيق أمام الآلة (DIV-R فقط) (fig.5, n°19)
توجد منطقة العمل أمام الآلة (fig.4, n°10)
توجد منطقة ضبط الضغط واستعادة الدقيق أمام الآلة (DIV-R فقط) (fig.6).
خيار FULLMATIC: توجد منطقة ضبط وقت الضغط وزر الاختيار حوض ممثل للنصف / حوض ممثل أمام الآلة (fig.4, n°22, 24)

7 الاستخدام

في بداية يوم العمل، بالنسبة لقطاعة العجين موديل DIV16r و DIV20r و DIV-16r أو DIV-R 20r، قم بتزييت ما بداخل الحوض المستدير باستخدام قطعة قماش مبللة بالزيت

خطوات الاستخدام (fig.8, 9)

- قم بلف زر الإيقاف الفوري (إيقاف الطوارئ) ربع لفة نحو اليمين، إذا لم يكن قد تم تشغيله (fig.3, n°14).
 - افتح الغطاء (fig.1, n°1).
 - إذا اقتضى الأمر، فقم بوضع دقيق خفيف على أعلى المجارف (fig.1, n°4) في الحوض (fig.1, n°3).
 - خيار EASYFLOUR: انثر القليل من الدقيق أعلى العجين باستخدام Easyflour.
 - ضع العجين في الحوض (fig.1, n°3) ووزعه باليد بغير اتقان
 - خيار EASYFLOUR: انثر القليل من الدقيق أعلى العجين باستخدام Easyflour.
 - أغلق الغطاء (fig.1, n°1) باستخدام المقبض (fig.1, n°8).
 - مع خيار 20/10 (خيار في DIV 20 المربع و DIV-R 20 المربع)، يمكنك اختيار أن تقوم بتقطيع 10 أو 20 قطعة بفضل زر الاختيار في الواجهة (fig.3, n°15).
 - اضبط ضغط الذك (خيار في موديل DIV-R 16 المستدير و DIV-R 20 و DIV-R 20 المربع) باستخدام مقبض ضبط الضغط الموجود في الواجهة (fig.6, n°19).
 - اسحب زراع التحكم (fig.3, n°16) لرفع الرأس وتقطع العجين.
 - ادفع الذراع لوقت قصير (fig.3, n°16) من أجل تخفيف الضغط ليتم فتح الغطاء.
 - افتح الغطاء (fig.1, n°1).
 - شد الذراع وارف رأس وأخرج قطع العجين (fig.3, n°16).
- يتيح زر الإيقاف في حالة الطوارئ إيقاف الدورة الجارية (fig.3, n°14).

خيار FULLMATIC: خطوات الاستخدام (fig.10)

- قم بلف زر الإيقاف الفوري (إيقاف الطوارئ) ربع لفة نحو اليمين، إذا لم يكن قد تم تشغيله.
- اضغط على الزر الأخضر إذا أومض لتهيئة الآلة.
- افتح الغطاء (fig.1, n°1).
- اختر وضع الرأس (حوض ممثل للنصف أو حوض ممثل للآخر) باستخدام زر الاختيار في الواجهة.
- إذا اقتضى الأمر، فقم بوضع دقيق خفيف على أعلى المجارف (fig.1, n°4) في الحوض (fig.1, n°3).

- F. خيار EASYFLOUR: انثر القليل من الدقيق أعلى الرأس في الحوض باستخدام Easyflour.
- G. ضع العجين في الحوض ووزعه باليد بغير اتقان.
- H. خيار EASYFLOUR: انثر القليل من الدقيق أعلى العجين باستخدام Easyflour.
- I. يمكنك ضبط ضغط الدك باستخدام مقيض ضبط الضغط الموجود في الواجهة وكذلك وقت الدك باستخدام الزر في الواجهة.
- J. مع خيار 10 / 20، يمكنك اختيار أن تقوم بتقطيع 10 أو 20 قطعة بفضل زر الاختيار في الواجهة.
- K. اغلق الغطاء لرفع الرأس وتقسيم العجين.
- L. عندما تضيء لمبة البيان مرة أخرى، افتح الغطاء واستعد قطعة العجين.

يتيح زر الإيقاف في حالة الطوارئ إيقاف الدورة الجارية (fig.3, n°14).

خيار EASYFLOUR: طريقة ملء منفضة الدقيق Easyflour شكل (fig.7)

- A - افتح غطاء منفضة الدقيق.
- B - صب الدقيق في منطقة ملء منفضة الدقيق (fig.7, n°25).
- C - أغلق غطاء منفضة الدقيق.
- D - اضبط معدل تدفق منفضة الدقيق باستخدام المؤشر المنزلق (fig.7, n°26).

8.1 يومية بواسطة مستخدم مُدرّب.

ضع الرأس والسكاكين في وضع منخفض وقم بتنظيف الحوض.
قم بتنظيف الغطاء.
اضغط على زر رفع السكاكين مع شد المقبض من أجل رفع السكاكين.
قم بتنظيف السكاكين.
شد الذراع لرفع الرأس واشفط بقايا العجين والدقيق.
خيار FULLMATIC:
ضع الرأس والسكاكين في وضع منخفض وقم بتنظيف الحوض.
قم بتنظيف الغطاء.
اضغط على زر رفع السكاكين من أجل رفع السكاكين.
قم بتنظيف السكاكين.
اضغط على الزر الأخضر لرفع الرأس واشفط بقايا العجين والدقيق.

8.2 أسبوعية بواسطة مستخدم مُدرّب.

اغسل كل الهيكل باستخدام قطعة قماش رطبة.
اغسل وعاء استعادة الدقيق (موديل DIV-R فقط) (fig.6, n°18)
بينما الرأس في وضع منخفض، اضغط على زر رفع السكاكين مع شد المقبض من أجل رفع السكاكين
اضغط على زر الإيقاف في حالة الطوارئ واسحب الأبواب الجانبية باستخدام مفك براغي
اشفط من على كل الأجزاء الداخلية للألة وكذلك الأجزاء الميكانيكية
أعد وضع الأبواب الجانبية

8.3 نصف سنوية بمعرفة وكيل معتمد.

ضع الرأس في وضع منخفض
اضغط على زر الإيقاف في حالة الطوارئ واسحب الباب الجانبي الأيمن باستخدام مفك براغي
افحص مستوى الزيت (يجب أن يكون المستوى بين 4 و 5 سم من الحافة العلوية للطوق الألومنيوم)
ملحوظة: سوف تجد أدناه قائمة غير حصرية بالزيوت الهيدروليكية المتوافقة:

خيار FULLMATIC:

اغسل كل الهيكل باستخدام قطعة قماش رطبة.
اغسل وعاء استعادة الدقيق (موديل DIV-R فقط) (fig.6, n°18).
بينما الرأس في وضع منخفض، اضغط على زر رفع السكاكين من أجل رفع السكاكين.
اضغط على زر الإيقاف في حالة الطوارئ واسحب الأبواب الجانبية باستخدام مفك براغي.
اشفط من على كل الأجزاء الداخلية للألة وكذلك الأجزاء الميكانيكية.
أعد وضع الأبواب الجانبية.

HYDROLUB S46	CONDAT
HYDRELF DS46	ELF
AYSPIIN AWS46	CASTROL
AZOLLA ZS32	TOTAL

تأكد من أن الوكيل المعتمد يقوم بتسجيل زيارته في دفتر الصيانة من أجل الحفاظ على ضمان الـ 5 سنوات.

9 قطع المستهلكات

أثناء طلب قطعة غيار، تأكد مع الوكيل المعتمد بشأن القطعة المطلوبة على أساس كتالوج قطع الغيار الذي أصدره الصانع. حدد دائمًا رقم الآلة كما هو مبين على لوحة البيانات. ويقوم الوكيل بعمل الطلبات لدى شركة JAC.

9.1 قائمة بالمستهلكات

رمز الصنف	التوصيف الجدي	النموذج
F1500009	LID SEAL	DIV-R
F1500004	LID SPRING	ALL
F1512014	GRID SPRING	ALL
10040012	WEAR PLATE	ALL
HUILEHYDROS46	HYDRAULIC OIL	ALL
F14000311	DOUBLE EXCENTRIC	ALL

10 الأحداث العارضة أثناء التشغيل

المشكلة	التحقق
الآلة لا تعمل	تحقق من التغذية بالتيار الكهربائي بشكل عام وتغذية الموتور تحقق ما إذا كان المرحل الحراري قد انطلق
الطاقة الهيدروليكية تعمل لكن الرأس لا يصعد	قم بقلب 2 فازه في قابس الآلة
الآلة تفتقر إلى القوة	افحص مستوى الزيت. يجب أن يكون المستوى بين 4 و 5 سم من الحافة العلوية
الرأس يصعد لكن السكاكين لا تخرج	اتصل بالفني
وجود زيت على الأرض	اتصل بالفني
خيار FULLMATIC: لمية البيان الخضراء تومض بسرعة	أضغظ على زر الإيقاف في حالة الطوارئ

انتبه: قبل القيام بأي إصلاحات، يجب فصل التيار عن الآلة.

إذا استمرت المشكلة بعد ذلك، فيرجى الاتصال بالفني.



11 قائمة بالمكونات الموجودة في الأشكال

الاسم	الرقم	شكل
غطاء الدك	1	1
جوان الغطاء (DIV-R 16r – DIV-R 20r – DIV-R 20c)	2	
حوض	3	
مجارف	4	
إخراج الدقيق (DIV-R 16r - DIV-R 20r - DIV-R 20c)	5	
مقبض حماية (DIV-R 16r DIV-R 20r DIV-R 20c)	6	
عجلات صغيرة بفرملة	7	
مقبض غلق غطاء الدك	8	
قفل غطاء الدك	9	
مقبض باب	10	
فتحة ضبط الضغط (DIV-R 16r – DIV-R 20r – DIV-R 20c)	11	
سكاكين	12	2
رفع السكاكين	13	3
إيقاف الطوارئ	14	
اختيار 20/10 سكين (خيار 20/10)	15	4
صعود أو نزول المجارف	16	
اختيار 20/10 سكين (خيار 20/10)	15	
ضبط وقت الضغط الأقصى	22	
لمبة بيان وتشغيل الدورة الآلية	23	
زر اختيار نصف الحوض - حوض ممتلئ	24	
منطقة عمل	17	5
وعاء استعادة الدقيق (DIV-R 16r - DIV-R 20r - DIV-R 20c)	18	6
ضبط الضغط (DIV-R 16r – DIV-R 20r – DIV-R 20c)	19	
منطقة ملء Easyflour	25	7
مؤشر ضبط معدل الدقيق	26	
صورة توضيحية تُشير إلى خطر الصعق بالكهرباء.	20	11
رسم تخطيطي كهربائي	21	

fig.1

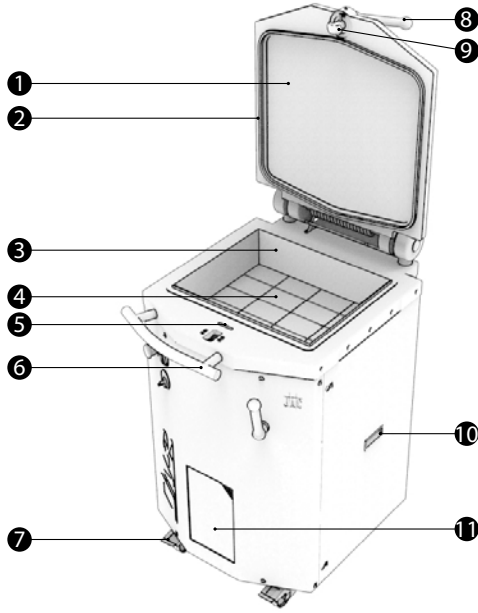


fig.2

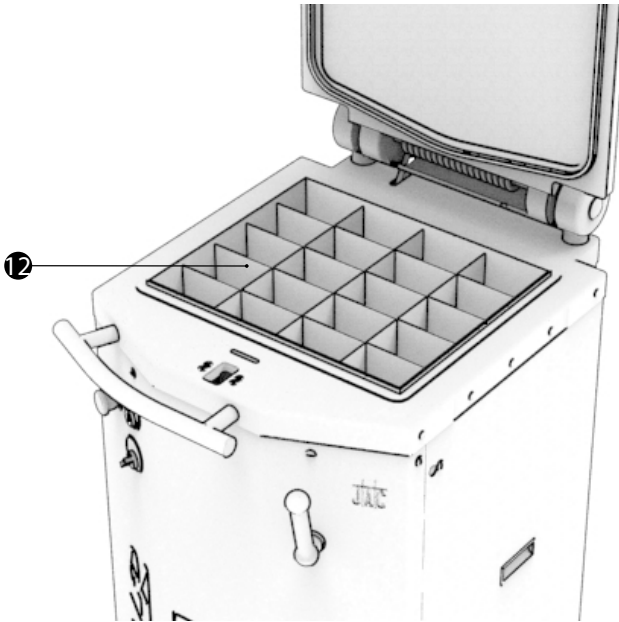


fig.3

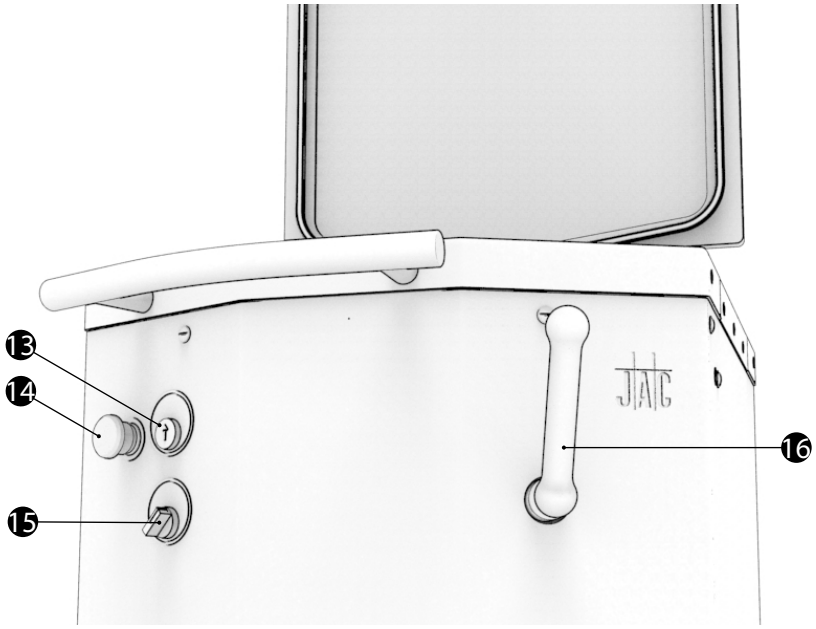


fig.4

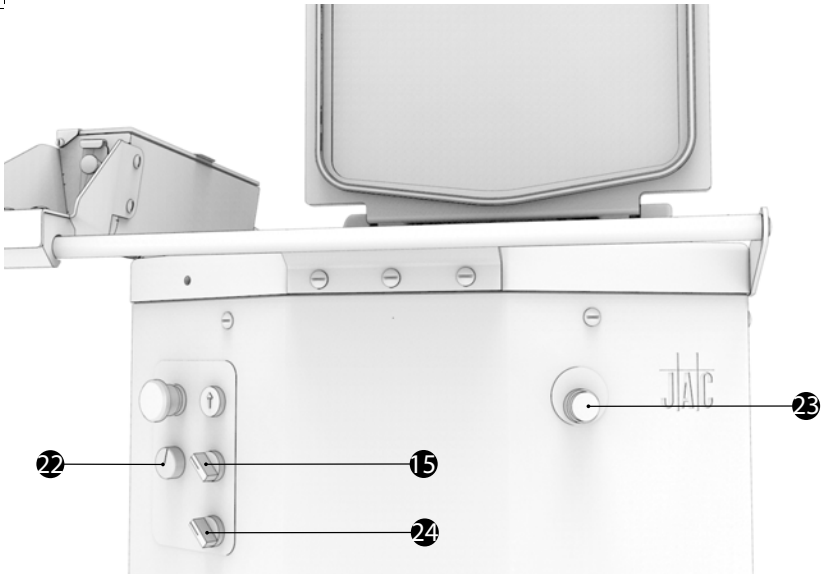


fig.5

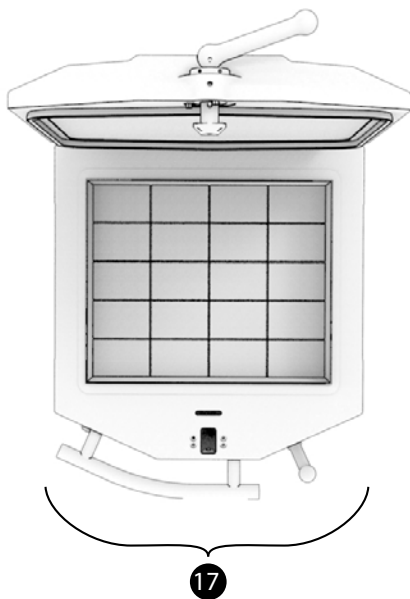


fig.6

DIV-R 16r – DIV-R 20r – DIV-R 20c

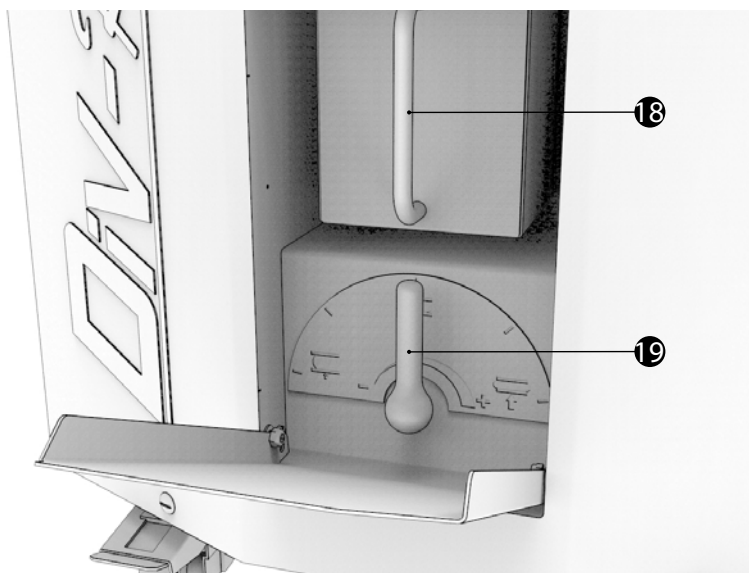


fig.7

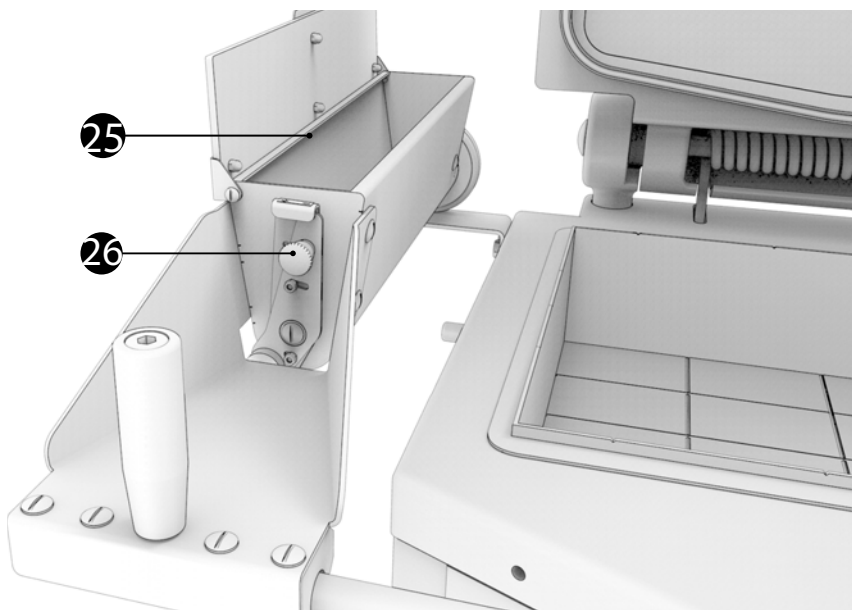


fig.8

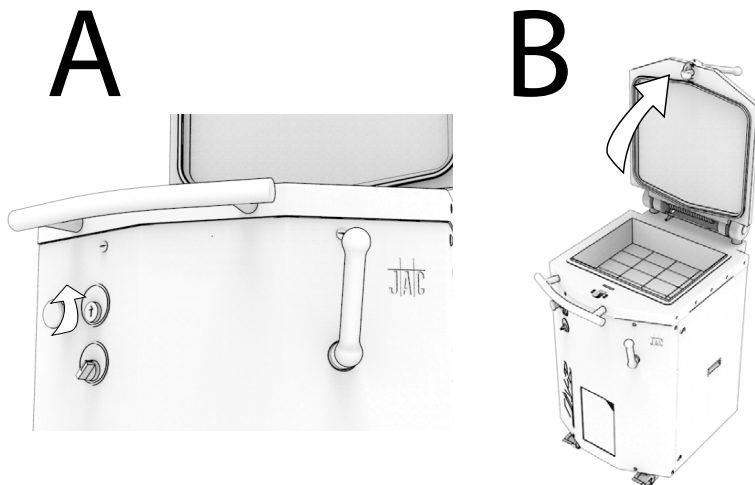


fig.9

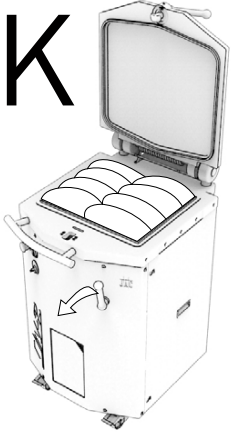
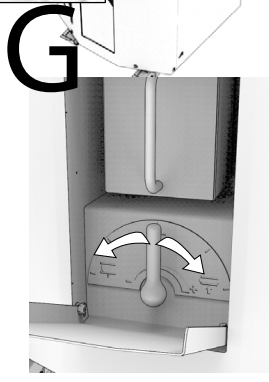
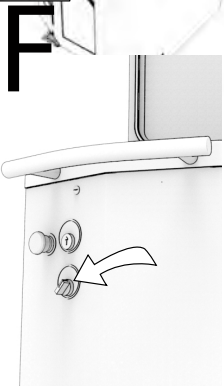
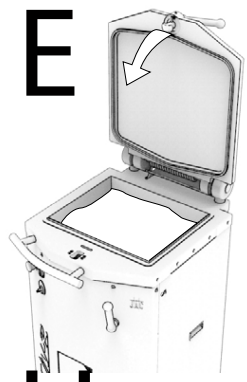
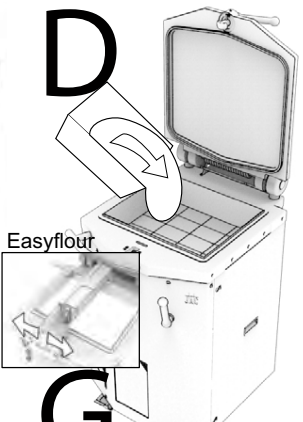


fig.10

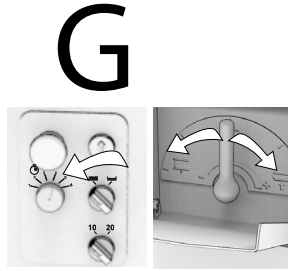
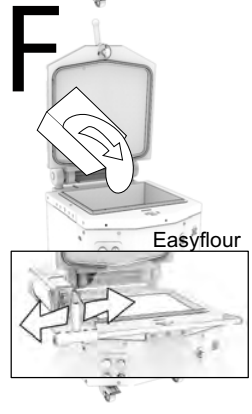
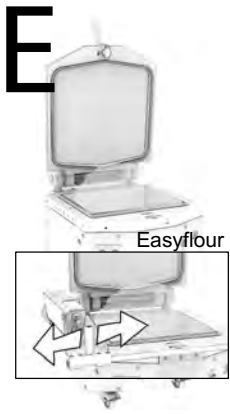
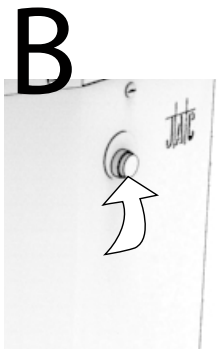


fig.11

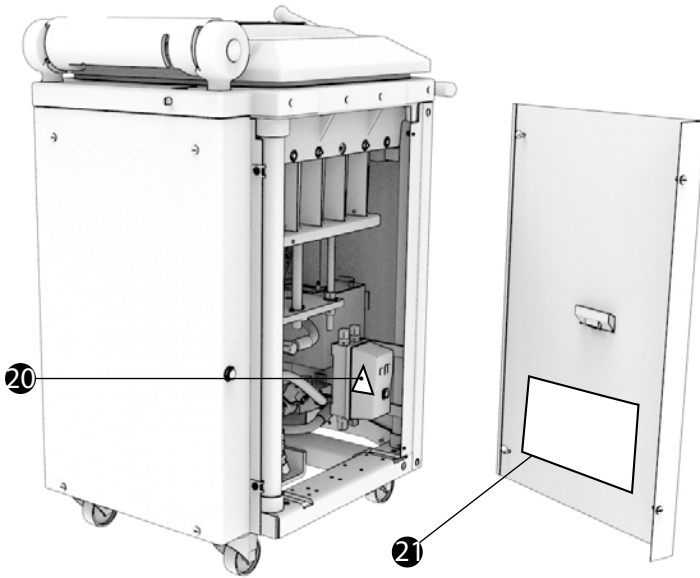
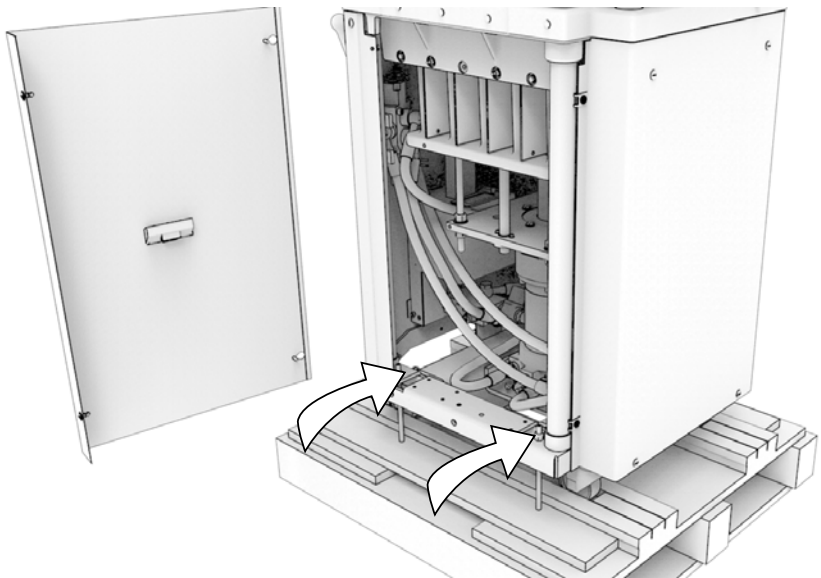


fig.12





Traditionally Innovative

CONFORMITY DECLARATION TO THE EUROPEAN DIRECTIVES,
DECLARATION DE CONFORMITE AUX DIRECTIVES EUROPEENNES.
KONFORMITÄTSEKTLÄRUNG AN DEN EUROPÄISCHEN RICHTLINIEN.
VERKLARING VAN OVEREENSTEMMING MET DE EUROPESE RICHTLIJNEN.
DICHIARAZIONE DI CONFORMITÀ ALLE DIRETTIVE EUROPEE.
DECLARACION DE CONFORMIDAD CON LAS DIRECTIVAS EUROPEAS.
ДЕКЛАРАЦИЯ СООТВЕТСТВИЯ ЕВРОПЕЙСКИМ ДИРЕКТИВАМ.
شهادة المطابقة مع التعليمات الأوروبية.



- EN** The undersigned declares that the machine complies with the European Directives 2006/42/CE. 2014/35/UE. 2014/30/UE.
- FR** Le soussigné déclare que cette machine est conforme aux directives européennes 2006/42/CE. 2014/35/UE. 2014/30/UE.
- DE** Unterzeichneter erklärt, daß diese Maschine den Europäischen Richtlinien 2006/42/CE. 2014/35/UE. 2014/30/UE entspricht.
- NL** Ik ondertekende verklaart dat deze machine in overeenstemming met de Europese richtlijnen 2006/42/CE. 2014/35/UE. 2014/30/UE.
- IT** Il sottoscritto dichiara questa macchina conforme alle ultime versioni delle seguenti direttive europee: 2006/42/CE. 2014/35/UE. 2014/30/UE.
- ES** El infrascrito declara que esta máquina es conforme con las directivas europeas 2006/42/CE. 2014/35/UE. 2014/30/UE.
- RU** Нижеподписавшееся лицо заявляет, что данное устройство соответствует европейским директивам 2006/42/CE. 2014/35/UE. 2014/30/UE.
- AR** المقدم أدناه يعلن أن هذه الآلة متطابقة مع التعليمات الأوروبية أرقام CE/2006/42 و UE/2014/35 و UE/2014/30.

Last update: 05/2018
Technical files compiled by:
Pierre-Yves Dorsimont
JAC S.A.
Chemin d'Éole, 2
B-4000 Sclessin
BELGIUM

Complies with the following (parts of)
European Harmonised Standards:
EN 1672-2
1935/2004
IEC 60204-1
EN ISO 12100-1
EN ISO 12100-2 §5, §6
EN 13954 if applicable
EN 61000-3-2, -3, -6-1, -6-3

Adrien Craeninx
Chief Executive Officer
JAC s.a.